

Operating Instructions

_____ Dry Vacuum Cleaner

_____ dryCAT 133 IC H-Class

_____ dryCAT 262 ICT H-Class



dryCAT 133 IC H-Class



dryCAT 262 ICT H-Class

DRYCAT SERIES

Imprint

Product Identification

Dry Vacuum Cleaner	Item number
dryCAT 133 IC H-Class	7002155
dryCAT 262 ICT H-Class	7002255

Manufacturer

Stürmer Maschinen GmbH
Dr.-Robert-Pfleger-Str. 26
D-96103 Hallstadt

Fax: 0049 (0) 951 96555 - 55
email: info@cleancraft.de
Internet: www.cleancraft.de

Indications regarding the operating instructions

Original instructions
Edition: 11.02.2021
Version: 2.04
Author: FL/MS

Indications regarding the copyright

Copyright © 2021 Stürmer Maschinen GmbH, Hallstadt, Germany.

The contents of these operating instructions are the sole property of the company Stürmer.

Passing on as well as copying of this document, the use and distribution of its content are prohibited if not explicitly permitted. Contraventions are liable to compensation.

Subject to technical modifications and error.

Contents

1 Introduction	3
1.1 Copyright	3
1.2 Customer service	3
1.3 Limitation of liability	3
2 Safety	3
2.1 Symbol explanation	3
2.2 Obligations of the operating company	4
2.3 Requirements to staff	5
2.4 Personal protective equipment	5
2.5 General safety regulations	5
2.6 Safety marking on the vacuum cleaner	7
3 Intended use	7
3.1 Misuse	7
3.2 Residual risks	7
4 Technical Data	8
4.1 Type plate	8
5 Transport, Packaging, Storage	8
5.1 Transport	8
5.2 Packaging	8
5.3 Storage	8
6 Description of the device	8
6.1 Scope of delivery	9
6.2 Accessories	9
7 Operation	9
7.1 Assembly of the vacuum cleaner	10
7.2 Start and stop	10
7.3 Seal control	10
8 Care, Maintenance and Repair	11
8.1 Care by cleaning	11
8.2 Clean absolute filter	11
8.3 Maintenance and Repair	11
9 Disposal, Recycling of old equipment	12
9.1 Decommissioning	12
9.2 Disposal of electrical equipment	12
9.3 Disposal via municipal collection points	12
10 Disruptions, possible causes and measures	12
11 Spare Parts	13
11.1 Ordering spare parts	13
11.2 Spare parts drawings dryCAT 133 IC H-Class	14
11.3 Spare parts drawings dryCAT 262 ICT H-Class	16
12 EC-Declaration of Conformity	19

1 Introduction

With the purchase of the dry vacuum cleaner from CLEANCRAFT you have made a good choice.

Read the operating instructions carefully before commissioning.

It gives you information about the proper commissioning, intended use and safe and efficient operation and maintenance of your dry vacuum cleaner.

The operating manual is part of the vacuum cleaner package. Always keep this operating manual in the location where your vacuum cleaner is being operated. All local accident prevention regulations and general safety instructions for the operating range of your dry vacuum cleaner must also be complied with.

The illustrations in these operating instructions are for basic understanding only and may differ from the actual version.

1.1 Copyright

The contents of these instructions are copyright. The may be used in conjunction with the operation of the vacuum cleaner. Any application beyond those described is not permitted without the written approval of Stürmer GmbH. For the protection of our products, we shall register trademark, patent and design rights, as this is possible in individual cases. We strongly oppose any infringement of our intellectual property.

1.2 Customer service

Please contact your dealer if you have questions concerning your dry vacuum cleaner or if you need technical advice. They will help you with specialist information and expert advice.

Germany:

Stürmer Maschinen GmbH
Dr.-Robert-Pfleger-Str. 26
D-96103 Hallstadt

Repair-Service:

Fax: 0951 96555-111
E-Mail: service@stuermer-maschinen.de
Internet: www.cleancraft.de

Ordering spare parts:

Fax: 0951 96555-119
email: ersatzteile@stuermer-maschinen.de

We are always interested in valuable experience and knowledge gained from using the application-which then could be shared and be valuable to develop our products even further.

1.3 Limitation of liability

All information and notes in these operating instructions were summarised while talking applicable standards and rules, the state-of-the-art technology and our long-term knowledge and experiences into consideration.

In the following cases the manufacturer is not liable for damages:

- Non-observance of the operating instructions,
- Inappropriate use,
- Use of untrained staff,
- Unauthorised modifications,
- Technical changes,
- Use of not allowed spare parts.

The actual scope of delivery may deviate from the explanations and presentations described here in case of special models, when using additional ordering options or due to latest technical modifications.

The obligations agreed in the delivery contract, the general terms and conditions as well as the delivery conditions of the manufacturer and the legal regulations at the time of the conclusion of the contract are applicable.

2 Safety

This section provides an overview of all important safety packages for the protection of operating personnel as well as for safe and fault-free operation. Other task based safety notes are included in the paragraphs of the individual phases of life.

2.1 Symbol explanation

Safety instructions

The safety notes in these operating instructions are highlighted by symbols. The safety notes are introduced by signal words which express the concern of the risk.



DANGER!

This combination of symbol and signal words indicates an imminently dangerous situation which may lead to death or severe injury if not avoided.



WARNING!

This combination of symbol and signal words indicates a potentially dangerous situation which may lead to death or severe injury if not avoided.

**CAUTION!**

This combination of symbol and signal words indicates a potentially dangerous situation which may cause minor injuries if not avoided.

**ATTENTION!**

This combination of symbol and signal words indicates a possibly dangerous situation which may lead to property and environmental damages if they are not avoided.

**NOTE!**

This combination of symbol and signal words indicates a potentially dangerous situation which may lead to material or environmental damage if not avoided.

Tips and recommendations**Tips and recommendations**

This symbol highlights useful tips and recommendations as well as information for an efficient and trouble-free operation.

It is necessary to observe the safety notes written in these operating instructions in order to reduce the risk of personal injuries and damages to property.

2.2 Obligations of the operating company

The operating company is the person who operates the vacuum cleaner for business or commercial reasons by herself, or leaves it to third party for use or application and who bears the legal product responsibility for the protection of the user, the staff or for third parties.

Obligations of the operator:

If the dry vacuum cleaner is used for commercial purposes, the operating company of the vacuum cleaner must comply with the legal working safety regulations. Therefore, the safety notes in this operating manual, as well as the safety, accident prevention and environment protection regulations applying for the area of application of the dry vacuum cleaner must be met. The following applies in particular:

- The operating company must be informed about the applying industrial safety regulations and further analyse hazards resulting from the special working conditions at the place of use of the vacuum cleaner. She must implement these in form of operating manuals for the operation of the dry vacuum cleaner.
- During the entire lifetime of the vacuum cleaner, the operating company must verify whether the operating manuals prepared by her correspond to the current status of the regulations, and must adapt these if necessary.
- The operating company must unambiguously regulate and determine the responsibilities for installation,
- The operating company must ensure that all persons who work with the dry vacuum cleaner, have read and understood this manual. Furthermore she must instruct the staff in regular intervals and inform them about the hazards.
- The operator must provide the necessary protective equipment to the staff and order the use of the necessary protective equipment in a binding way.

Furthermore the operating company is responsible to keep the vacuum cleaner always in a technically flawless state. Thus, the following applies:

- The operator must ensure that the maintenance intervals described in this manual are kept.
- The operator must have all safety devices checked regularly for their good working order and their integrity.

2.3 Requirements to staff

The different tasks described in this manual represent different requirements to the qualification of the person entrusted with these tasks.



WARNING!

Danger in case of insufficient qualification of the staff!

Insufficiently qualified persons can not estimate the risk while using the vacuum cleaner and expose themselves and others to the danger of severe or lethal injuries.

- Have all works only performed by qualified persons.
- Keep insufficiently qualified persons out of the working area.

Only persons reliable working procedures can be expected from, are allowed to perform all works. Persons the responsiveness of which is affected by e. g. drugs, alcohol or medication, are not allowed to work with the machine.

The qualifications of the personnel for the diffe:

Operator:

The operator is instructed by the operating company about the assigned tasks and possible risks in case of improper behaviour. Any tasks which need to be performed beyond the operation in the standard mode must only be performed by the operator if it is indicated in these instructions and if the operating company expressly commissioned the operator.

Electrically qualified person:

Electrically qualified person is due to their professional training, knowledge and experience as well as knowledge of the relevant standards and regulations, in a position to carry out work on the electrical systems and to independently recognize and avoid possible dangers.

Qualified personnel:

Due to their professional training, knowledge and experience as well as their knowledge of relevant regulations the specialist staff is able to perform the assigned tasks and to recognise and avoid any possible dangers themselves.

Manufacturer:

Certain works may only be performed by specialist personnel of the manufacturer. Other personnel is not authorized to perform these works. Please contact our customer service for the execution of all arising work.

2.4 Personal protective equipment

The personal protective equipment serves to protect persons against impairments of safety and health while working. The staff member has to wear personal protective equipment while performing different tasks on and with the machine which are indicated in the individual paragraphs of these instructions.

The personal protective equipment is explained in the following paragraph:



Protective gloves

The Protective gloves serve to protect the hands against sharp components as well as against friction, abrasions or deep injuries.



Safety boots

Safety boots protect the feet from being crushed, falling parts and slipping over on slippery ground.



Protective clothes

Protective clothes are made of a tightly fitted fabric with low tear resistance.

2.5 General safety regulations

Please note the following:

- Use the safety devices and fasten them securely. Never work without safety equipment and keep it in good working order.
- Keep the machine and your work environment clean at all times. Ensure sufficient illumination.
- The dry vacuum cleaner's design must not be changed; the machine must not be used for work not intended by the manufacturer.
- Never work under the influence of illnesses that impair concentration, drugs, alcohol or medication.
- This device should not be used by persons (including children) with physical, sensory or mental disabilities, or with no experience or knowledge.
- The packaging elements may present potential hazards (such as plastic bags): to children and others who are unaware of their actions or to animals keep out of reach.
- Any other use than that specified in this manual can be a hazard and should be avoided.

- The device must be correctly installed before use. It must also be checked that the filter elements are correctly installed and powerful.
- Disruptions that affect safety are eliminated immediately.
- Do not absorb any materials that may damage the filter elements (for example, glass splitter or metal)
- Never pull or lift the device by using the power cord.
- Do not immerse the device in water for cleaning or wash with a water jet.
- Always disconnect the power plug from the socket before handling the switched-off device.
- Always check the supply cable for damage such as cracks or signs of aging. Replace the cable before using it again.
- The replacement of a defective power cord must be carried out by the technical service or by qualified personnel.
- When using an extension cable, make sure that it has the same cable dimension as the power cable of the vacuum cleaner and avoid contact of the cables with liquids or conductive surfaces.- Wartungen und Reparaturen müssen immer von Fachpersonal ausgeführt werden.
- Do not immerse the device in water for cleaning or wash with a water jet.
- Protect the vacuum cleaner from moisture (risk of short circuit).
- The room must be sufficiently ventilated when the exhaust air of the unit flows back into the room. In doing so, the applicable standards in each country must be adhered to
- Before each use, make sure that no parts are damaged. Damaged parts must be replaced immediately to avoid danger sources.
- Do not overload the vacuum cleaner! You work better and safer in the specified performance range.
- Only use original spare parts and accessories to avoid possible dangers and accident risks.



ATTENTION!

The device is not suitable for absorbing glowing, flammable, explosive or gift substances. The maximum allowable usage temperature is(40°C / 104°F) (120°C / 478°F).



ATTENTION!

Never direct the suction opening to sensitive parts of the body - such as animals - such as eyes, ears, mouth, etc.



ATTENTION!

The filter performance of the device should be checked at least once a year.



ATTENTION!

This device should only be used for dry vacuuming and must not be used or stored outdoors in damp conditions.



ATTENTION!

Only use the parts supplied with the device or those specified in the manual. The use of other parts can compromise safety.



ATTENTION!

Never leave the running device unattended. Always disconnect the power plug from the power outlet when not in use. Keep the vacuum cleaner out of reach of children or unauthorized persons.



ATTENTION!

If the device is equipped with an additional socket, the power indicated on the socket must not be exceeded. Failure to comply with this requirement may result in fire, personal injury or even death.



ATTENTION!

The device is not suitable for environments that are protected against electrostatic discharge.



ATTENTION!

Any modification of the device is prohibited. The changes may result in addition to the expiration of the warranty, fires and injuries, even fatal for the user.

2.6 Safety marking on the vacuum cleaner

The following safety labels and instructions are attached to the vacuum cleaner (Fig. 1), and must be observed.



Fig. 1: Safety labels

If safety labels on the machine are damaged or missing this can cause errors, personal injury and material damage. The safety symbols attached to the machine must not be removed. Damaged safety symbols must be replaced immediately.

As soon as the signs are not clearly visible and comprehensible at first glance, the machine must be stopped until new signs have been attached.

3 Intended use

The dry vacuum cleaner is exclusively intended for the suction of the dust and light dirt, but not for wet suction. The vacuum cleaner must not be operated in the potentially explosive environments.

The proper use also includes observing all indications in these operating instructions. Any use beyond the proper use or any other use is regarded as misuse. Under no circumstances may personnel be lifted.

Stürmer Maschinen GmbH accepts no liability for any constructional or technical modifications carried out on the electric vacuum cleaner.

Any claims due to damages because of not intended use are excluded.



ATTENTION!

(HIGH RISK) The vacuum cleaner is suitable for separating dust with an exposure limit depending on the filling volume, including carcinogenic dusts and dusts with pathogens.



ATTENTION!

Every change on the vacuum cleaner is prohibited. The change may void the warranty, cause burns and personal injury, even fatal for the user. The manufacturer will not be liable for any damage that the results form failure to follow these instructions or form the misuse of the equipment to objects or persons.

3.1 Misuse



WARNING!

Danger in case of misuse!

Misuse of the dry vacuum can lead to dangerous situations.

- Only operate the vacuum cleaner within the performance limits stated in the technical data.
- Do not bypass or disarm safety equipment.
- Only use the vacuum cleaner in technically perfect condition



ATTENTION!

The dry vacuum cleaner is not suitable to absorb flammable, hot, burning, explosive or liquids. The maximum allowable usage temperature is (40°C / 104°F) (120°C / 478°F).

- Do not soak up aggressive cleaning agents as they could damage the device.
- do not absorb any materials that can damage or clog the filter elements (e.g., powder, toner, gypsum, and other very small particle size substances).
- do not absorb water or any other liquids

3.2 Residual risks

Even if all safety regulations are observed and the dry vacuum cleaner is used in accordance with the regulations, there are still residual risks listed below:

- There is a risk of injury to the upper limbs (e.g., hands, fingers).

4 Technical Data

Model dryCAT	133 IC H-Class	262 ICT H-Class
Suction cup type	Dry	Dry
Power consumption	1 kW	2 kW
Air flow	3583 l/min	7166 l/min
Tank volume	33 l	62 l
Hose diameter	38 mm	38 mm
Hose length	4 m	4 m
Number of motors	1	2
Engine cooling	Bypass	Bypass
Sound pressure level	74 dB(A)	80 dB(A)
Electrical connection	230 V 50Hz	230 V 50 Hz
Cable length	8,5 m	8,5 m
Negative pressure	245 mbar	245 mbar
Tank material	Stainless steel	
Dimension (LxWxH)	430 x 430 x 830 mm	520 x 520 x 960 mm
Weight	16 kg	23 kg

4.1 Type plate



Fig. 2: Type plate dryCAT 262 ICT H-Class

5 Transport, Packaging, Storage

5.1 Transport

Check the dry vacuum after delivery for visible transport damage. If you discover any damage to the dry vacuum cleaner, immediately report it to the transport company or the dealer.

5.2 Packaging

All used packaging materials and packaging aids of the dry vacuum cleaner are recyclable and must always be recycled.

Packing components made of cardboard are crushed to waste paper collection.

The foils are made of polyethylene (PE) and the upholstery parts made of polystyrene (PS). You can hand over these substances to a recycling center or to the disposal company responsible for you.

5.3 Storage

Store the nipple in a dry, clean and frost-free environment.

6 Description of the device

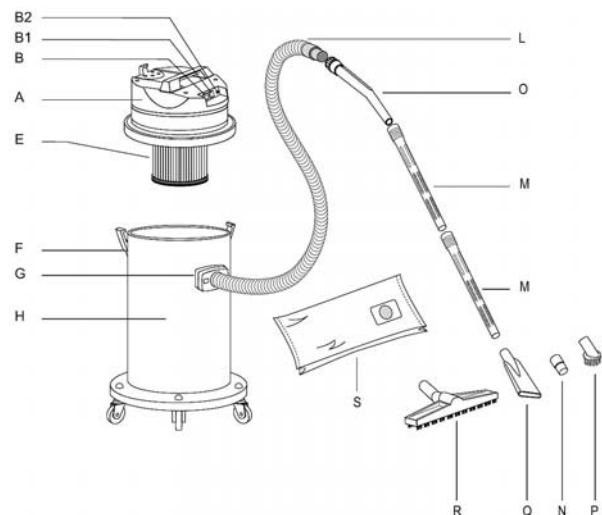


Fig. 3: Description of device

- A Motor head
- B ON / OFF Switch
- B1 ON / OFF Switch (for Model with 2 Engines)
- B2 Full bag indicator light
- E Filter cartridge
- F Mounting brackets
- G Suction
- H Container
- L Suction hose
- O Handle
- M Extension tube
- N Reducer
- Q Crevice
- R Dry tool
- S Paper / Cloth bag (Optional)

6.1 Scope of delivery

The Dry Vacuum Cleaner is delivered with:



Fig. 4: Scope of delivery

- Suction hose 4m
- Handle with Faulty air regulation
- Suction tube pluggable
- Floor nozzle
- Round nozzle with brush
- Flat die
- Reduction
- Cartridges filter
- H-class filter bag

6.2 Accessories

- Carpet brush
Item number: 7010000
- Holder for suction tube
Item number: 7010001
- Powered carpet brush
Item number: 7010320
- Carpet and floor cleaning nozzle
Item number: 7010323
- Dry Suction Set
Item number: 7010324
- Filter bag H-class
Item number: 7010330
- Connector for suction hose Ø 38 mm
Item number: 7010450
- Upholstery cleaning nozzle
Item number: 7013033
- Suction tube Ø 38 / 500 mm, aluminum/plastic
Item number: 7013045
- Adapter for pipe Ø38
Item number: 7013046
- Handle with false air regulation
Item number: 7013048
- Hose Ø 29 mm / 5 m with connection for Power tool
Item number: 7013055

- HEPA H14-Cartridge filter
Item number: 7010335
- Detergent alkaline SPX 1l
Item number: 7321001
- Detergent alkaline SPX 5l
Item number: 7321005
- Detergent alkaline SPX 10l
Item number: 7321010

7 Operation



WARNING!

Before putting the device into operation, make sure that the voltage stated on the rating plate corresponds to the mains voltage.



DANGER!

Risk of death by electrocution!

There is danger to life when in contact with live components. Switched on electrical components can cause uncontrolled movements and lead to serious injuries.

- Disconnect the power plug before starting any adjustments to the dry vacuum



ATTENTION!

The device must be correctly installed before use. It must also be checked that the filter elements are mounted correctly and that their proper function is guaranteed.

The device should only be operated, mounted, repaired and transported on a stable, flat surface.



ATTENTION!

Always disconnect the mains plug from the socket before handling the switched-off device.

Always check the power cord for damage such as cracks or signs of aging. A damaged cable must be replaced before further use of the dry vacuum cleaner. The replacement of a defective power cord must be carried out by the technical service or by qualified personnel.

When using an extension cable, make sure that it has the same cable dimension as the power cable of the device and avoid contact of the cables with liquids or conductive surfaces.

7.1 Assembly of the vacuum cleaner

- Remove the package of the vacuum cleaner and make sure that the vacuum cleaner has not any sign of damage
- If the paper / cloth filter is intended to be used, insert it into the container by pulling it onto the plate (Fig. 5).

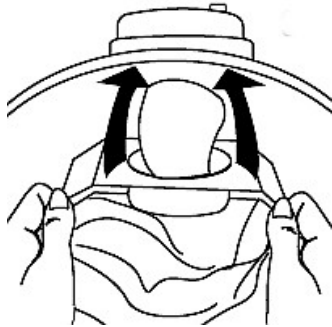


Fig. 5: Assembly of the filter

- Place the motor head on the container and secure with the clamps on the left and right. (Fig. 6).

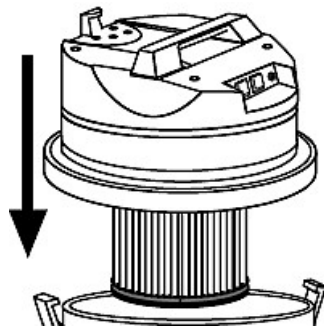


Fig. 6: Assembly of the engine head

- Connect the suction hose to the suction opening of the dry vacuum cleaner. Connect the other end of the suction hose to an extension or suitable nozzle (Fig. 7).

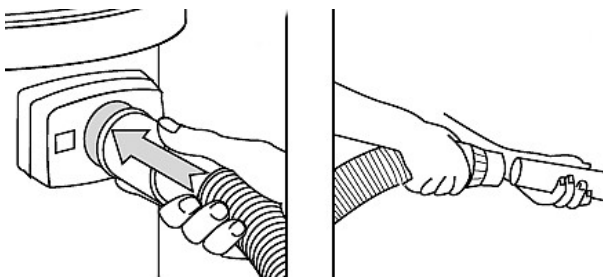


Fig. 7: Mounting hose

7.2 Start and stop

Start



WARNING!

Check that the vacuum cleaner has no impact marks or damage and make sure all safety equipment is in place and functioning.

- Plug the power plug into a suitable power outlet.
- Press the on / off button.

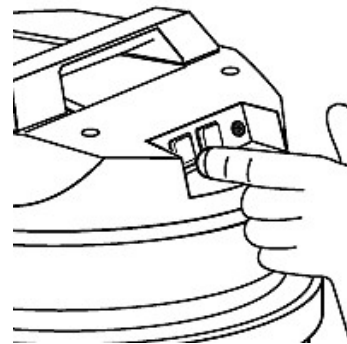


Fig. 8: ON/OFF Switch



NOTE!

The dryCAT 262 ICT H-Class has 2 separate ON/OFF switches. This makes it possible to choose for yourself how many motors should work. This allows a significant saving of energy.

Stop

- Switch off the appliance, press the on / off button and disconnect the mains plug.
- When pulling out the plug always pull on the plug, never on the cable.

7.3 Seal control

Over time, the quality of the seal may deteriorate as a result of aging or damage to the seals. This leads to a decrease in the suction power. We recommend periodically checking the locking hooks, flexible suction hoses and seals for perfect function.

Clean all seals after completing work. Dirt can prevent proper functioning and cause damage.

Also check that the edges of the container are not damaged.

8 Care, Maintenance and Repair



DANGER! Risk of death by electrocution!

There is danger to life when in contact with live components. Switched on electrical components can cause uncontrolled movements and lead to serious injuries.

- Disconnect the mains plug before starting cleaning and maintenance work.



ATTENTION!

The cleaning must not be done by children unless they are supervised by adults.

Maintenance and repairs must always be carried out by qualified personnel. Damaged parts are only to be replaced by original spare parts.

8.1 Care by cleaning



ATTENTION!

Do not use aggressive chemicals, solvents or abrasives. A detachment of the surface and the resulting consequential damage can occur.

The dry vacuum cleaner must always be kept in a clean condition.



Use protective gloves

Wear the suitable protective gloves by the cleaning to protect against injury from chips.

Always empty the tank and clean the vacuum cleaner after the vacuuming.

Clean all plastics and paint surfaces on the vacuum cleaner with a lightly moistened cloth.

Keep the ventilation slots of the engine clean to ensure adequate cooling.

8.2 Clean absolute filter

The dust settling in the absolute filter can contain toxic, harmful substances. It is therefore advisable to take appropriate protective measures when replacing the filter:

- Put on gloves.
- Wear a mouth and nose protection
- Put on protective goggles

- Wear a protective suit to prevent toxic substances from coming into contact with other areas of the body
- Use a suitable container for disposal

At the o.g. Recommendations are minimum protection measures. Familiarize yourself with the internally applicable workplace safety regulations.

Wait a few minutes before removing the absolute filter from its container so that the toxic substances are sufficient to settle



ATTENTION!

The manufacturer assumes no liability for damage to objects or persons resulting from negligent or improper handling of the vacuum cleaner. The operator of a vacuum cleaner equipped with an absolute filter must be authorized and aware of the risks associated with the inhalation of harmful substances.

Before each intervention, the necessary safety measures for the safety of oneself, the safety of others and the environment should be taken (see internally applicable safety regulations).

The soiled absolute filter is toxic waste harmful to health, which must be treated as such. Disposal must be carried out in accordance with the applicable laws.

It is recommended that the soiled absolute filter immediately after removal from the vacuum cleaner in the intended for disposal container to give.



WARNING!

Do not clean the absolute filter with air. Reuse is not intended, it must be disposed of. This is intended to prevent impairment of the filtration efficiency and pollution by dust particles.

8.3 Maintenance and Repair



ATTENTION!

Maintenance and repairs must always be carried out by qualified personnel; Any damaged parts can only be replaced by original spare parts.

If the dry vacuum does not work properly, contact a dealer or our customer service. The contact details can be found in chapter 1.2 Customer Service.

9 Disposal, Recycling of old equipment

Please take care in your own interest and in the interest of the environment that all component parts of the machine are only disposed of in the intended and permitted way.

9.1 Decommissioning

Immediately decommission disused machines in order to avoid later misuse and endangering of the environment or personal safety.

- Eliminate all environmentally hazardous operating materials from the used device.
- If required, disassemble the machine into easy-to-handle and usable components and parts.
- Dispose of machine components and operating materials by the disposal channels provided.

9.2 Disposal of electrical equipment

Please note that electrical appliances contain a variety of recyclable materials as well as environmentally harmful components.

Make sure that these components are disposed of separately and properly. In case of doubt, please contact your municipal waste disposal.

If necessary, the help of a specialized waste disposal company can be used for the treatment.

9.3 Disposal via municipal collection points

Disposal of used electrical and electronic equipment (to be used in the countries of the European Union and other European countries with a separate collection system for this equipment).



The symbol on the product or its packaging indicates that this product is not to be treated as normal household waste and must be returned to a collection point for the recycling of electrical and electronic equipment. By contributing to the proper disposal of this product, you protect the environment and the health of your fellow human beings. Environment and health are endangered by incorrect disposal. Material recycling helps to reduce the consumption of raw materials. For more information about recycling this product, contact your local community, municipal waste management company or the store where you purchased the product.

10 Disruptions, possible causes and measures



ATTENTION!

If one of the following errors occurs, stop working with the machine immediately. Before you begin troubleshooting, turn off the machine and unplug the power cord. It could lead to serious injuries. All repairs or replacement work may only be carried out by qualified and trained specialist personnel.



NOTE!

If you can not solve the problems with your machine yourself, please contact your nearest CLEANCRAFT dealer. Please write down the following information from the machine or the operating instructions in advance to help you with your problem in the best possible way.

- Model name
- Serial number of the device
- Construction year
- Exact error description

Fault	Possible causes	Remedy
Machine does not work.	<ol style="list-style-type: none"> 1. Power plug is not plugged in. 2. Supply lines defective. 3. Switch defective. 4. Engine defective. 	<ol style="list-style-type: none"> 1. Plug in mains plug. 2. Call service technician. 3. Call service technician. 4. Call service technician.
Suction decreases.	<ol style="list-style-type: none"> 1. Blockages in the suction nozzle, suction hose or filter. 2. Seals leaking. 	<ol style="list-style-type: none"> 1. Remove obstructions, clean filter. 2. Clean or replace seals. Check for tight fit of filters and container lid. Check hose and connections for leaks.

11 Spare Parts



DANGER!

Risk of injury through use wrong spare parts!

The use of incorrect or faulty replacement parts can be dangerous to the operator and cause damage and malfunction.

- Only original spare parts from the manufacturer or replacement parts approved by the manufacturer must be used.
- In case of doubt, always contact the manufacturer.



Loss of warranty

Using non-approved spare parts voids the manufacturer's warranty.

11.1 Ordering spare parts

The spare parts can be obtained from the dealer or directly from the manufacturer. The contact details are in chapter 1.2 Customer Service.

Specify the following key data when ordering spare parts:

- Type of device
- Serial number
- Amount
- Designation
- Desired shipping method (post, freight, sea, air, express)
- Delivery address

Spare parts orders without details given above can not be considered. If the shipping method is missing, shipping will be at the discretion of the supplier.

Information on the device type, article number and year of manufacture can be found on the rating plate, which is attached to the device.

Example

The motor for the Dry Vacuum Cleaner dryCAT 133 IC H-Class must be ordered. The motor has the number 25 in the spare parts drawing 1.

By ordering spare parts, send a copy of the spare parts drawing (1) with the marked part (motor) and marked position number (25) to the dealer or spare parts department and provide the following information:

- Type of device: **Dry Vacuum Cleaner dryCAT 133 IC H-Class**
- Item number: **7002155**
- Drawing number: **1**
- Position number: **25**

The item number of your machine:

dryCAT 133 IC H-Class: 7002155

dryCAT 262 ICT H-Class: 7002255

11.2 Spare parts drawings dryCAT 133 IC H-Class

In case of service, the following drawings shall help to identify the necessary spare parts.

Spare parts drawing 1

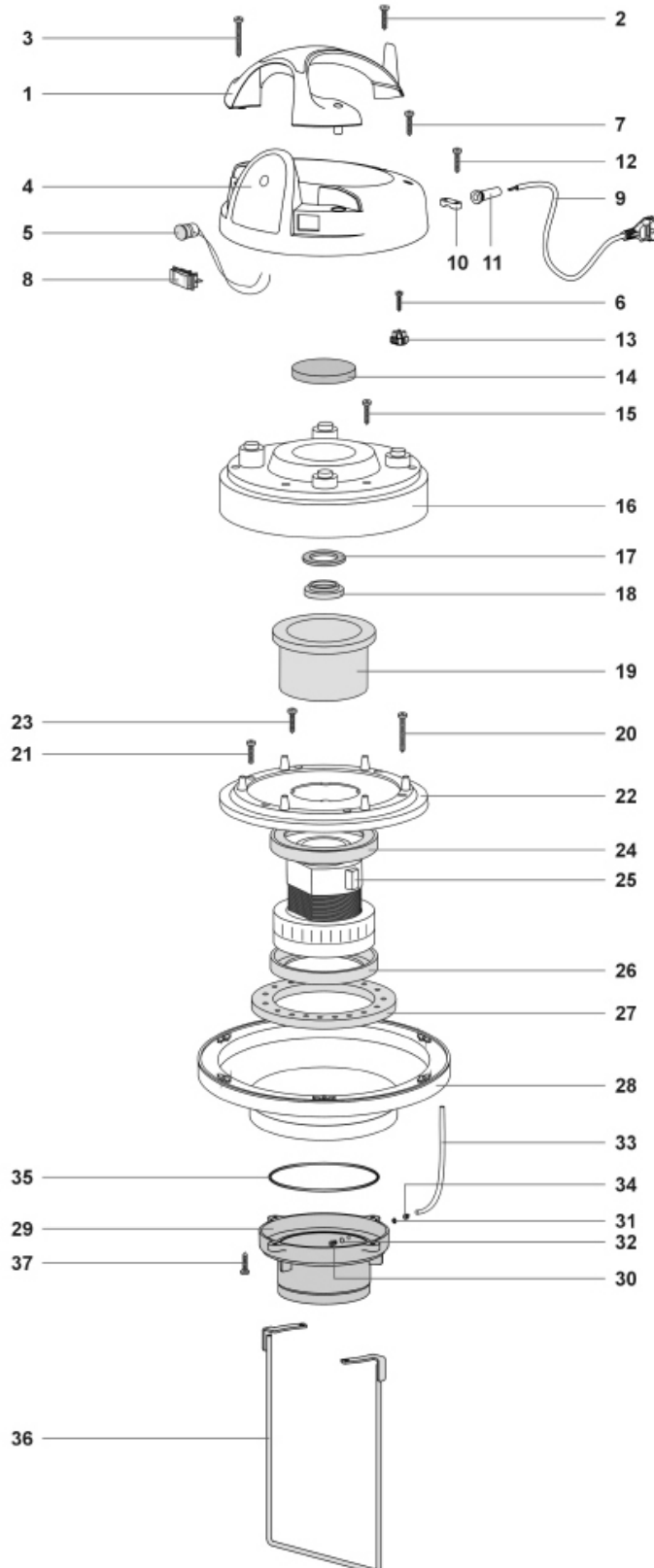
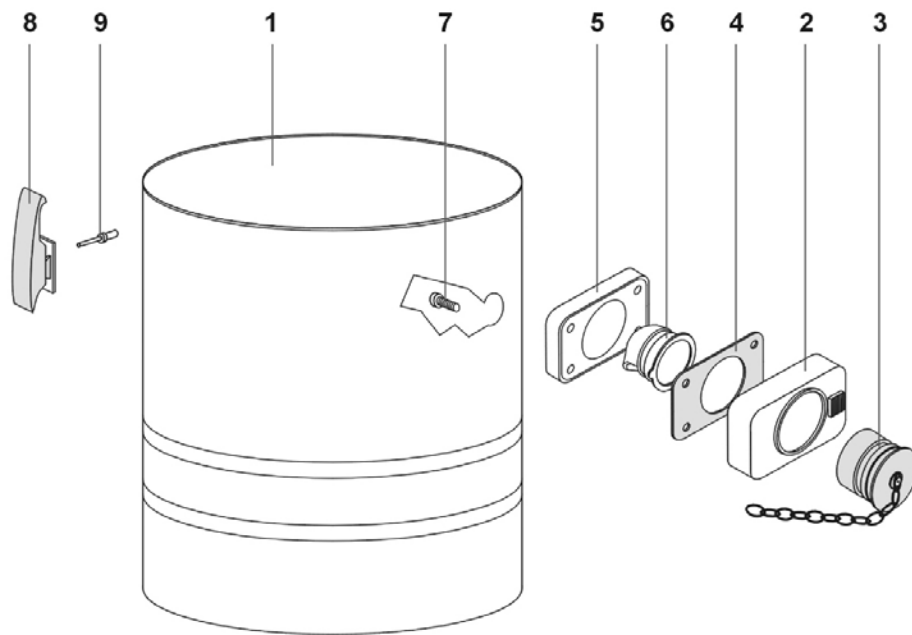
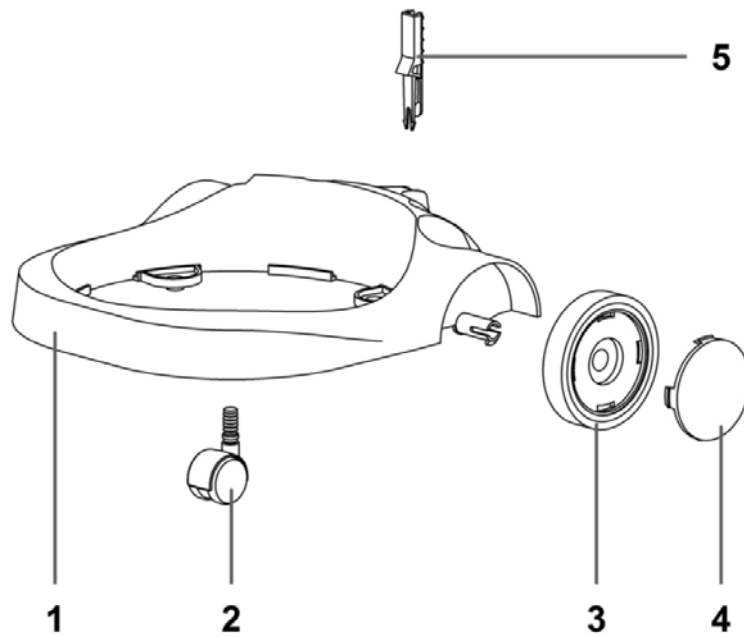


Fig. 9: Spare parts drawing 1 for dryCAT 133 IC H-Class

Spare parts drawing 2



Spare parts drawing 3



Spare parts drawing 4

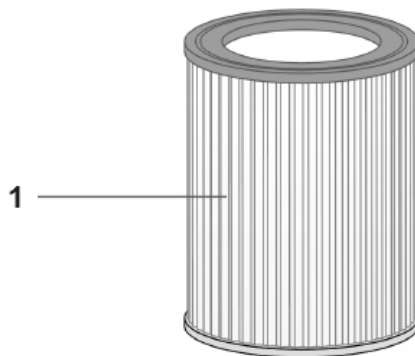


Fig. 10: Spare parts drawings 2 (top), 3 (middle) and 4 (bottom) for dry CAT 133 IC H-Class

11.3 Spare parts drawings dryCAT 262 ICT H-Class

In case of service, the following drawings shall help to identify the necessary spare parts.

Spare parts drawing 1

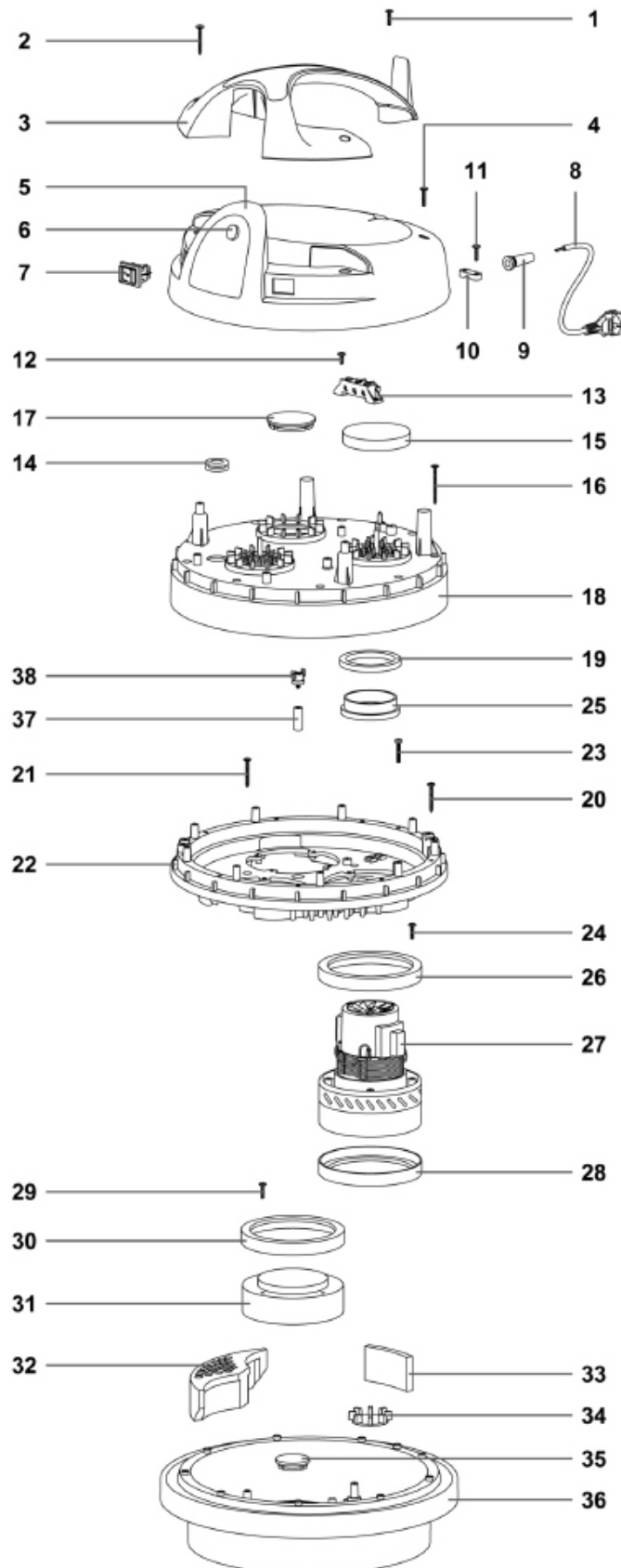
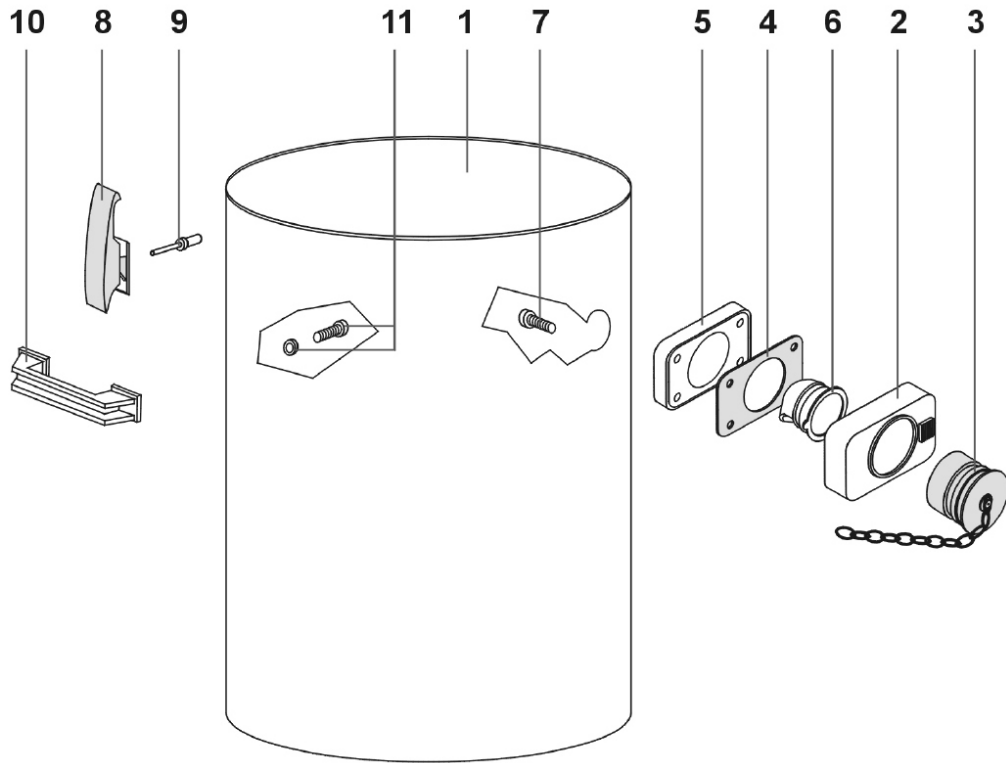


Fig. 11: Spare parts drawing 1 for dryCAT 262 ICT H-Class

Spare parts drawing 2



Spare parts drawing 3

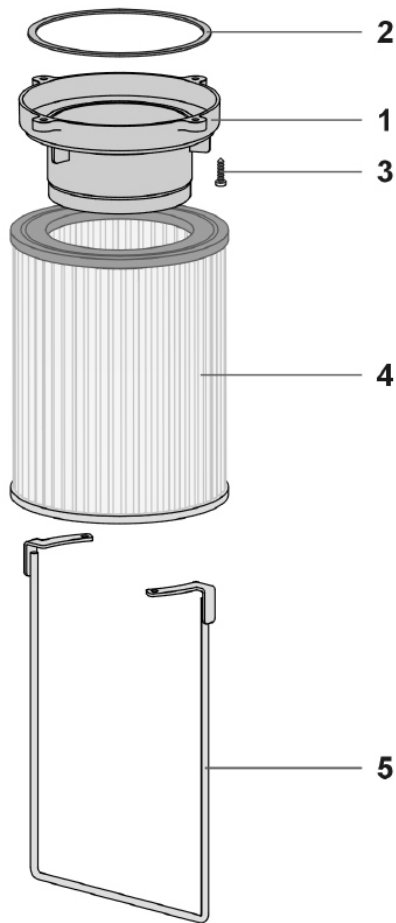


Fig. 12: Spare parts drawings 2 (top) and 3 (bottom) for dryCAT 262 ICT H-Class

Spare parts drawing 4

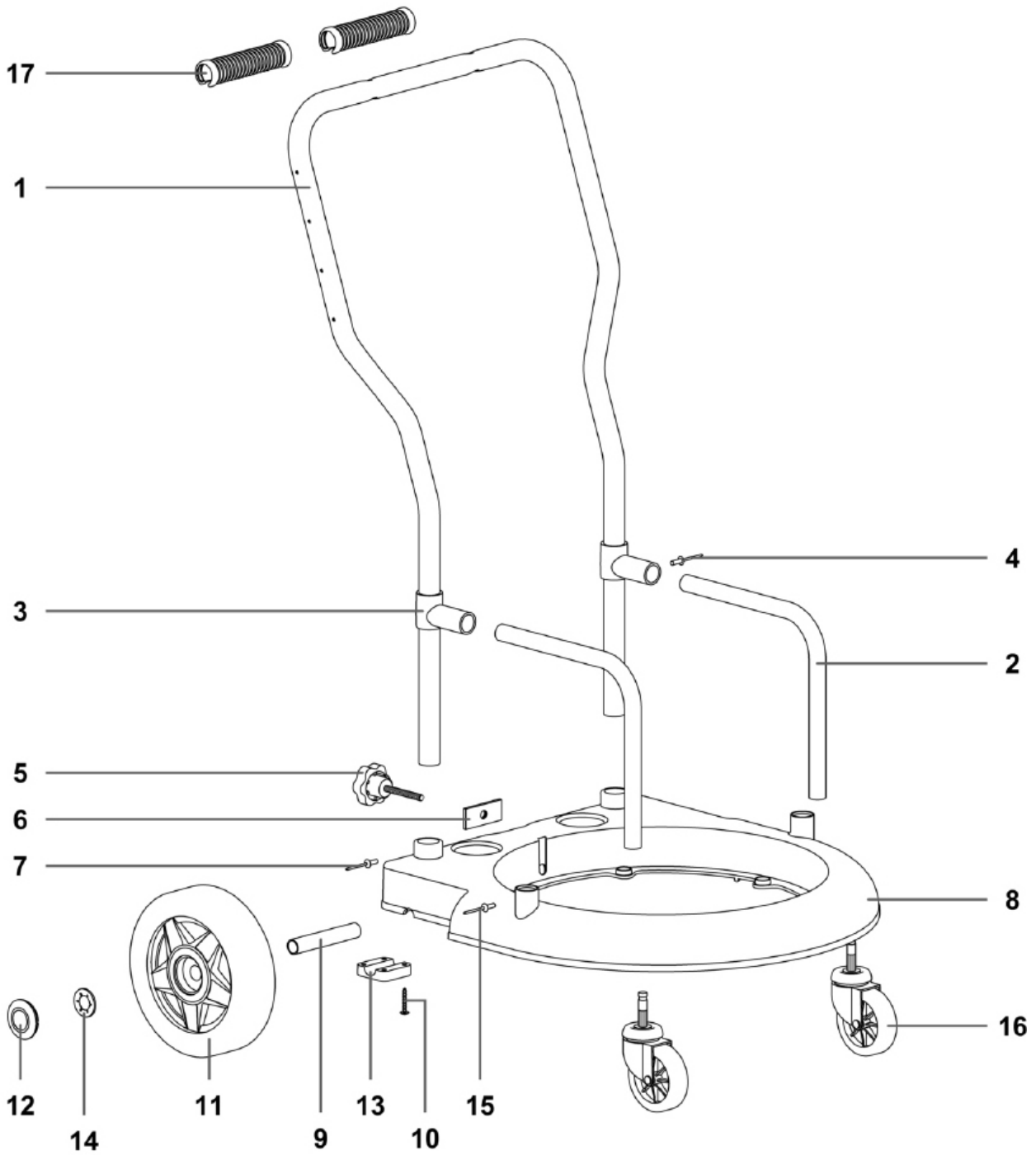


Fig. 13: Spare parts drawing 4 for dryCAT 262 ICT H-Class

12 EC-Declaration of Conformity

Manufacturer: Stürmer Maschinen GmbH
Dr.-Robert-Pfleger-Str. 26
D-96103 Hallstadt

hereby declares that the following product

Product group: Cleancraft® Cleaning technology

Type of machine: Dry Vacuum Cleaner

Designation of machine*: **Item number:**
 dryCAT 133 IC H-Class 7002155
 dryCAT 262 ICT H-Class 7002255

Serial number*: _____

Year of manufacture*: 20_____

* Fill in these fields according to the information on the type plate

complies with the applicable directives (hereafter), including any changes in effect at the time of declaration.

Relevant EU Directives: 2011/65/EU RoHS
2014/30/EU EMC Directive
2012/19/EU WEEE Directive

The following harmonized standards were applied:

DIN EN 60335-1:2012/A11:2014	Safety of electrical appliances for household use and similar purposes - Part 1: General requirements
DIN EN 60335-2-2:2010/A1:2013	Safety of electrical appliances for household use and similar purposes - Part 2-2: Special requirements for vacuum cleaners and water aspirators
DIN EN 62233:2008	Method for measuring the electromagnetic fields of household appliances and similar electrical appliances with regard to the safety of persons in electromagnetic fields.
DIN EN 55014-1	Electromagnetic compatibility - requirements for household appliances, Power tools and similar electrical equipment - Part 1 Emitted interference
DIN EN 55014-2	Electromagnetic compatibility - requirements for household appliances, Power tools and similar electrical equipment - Part 1 Immunity
DIN EN 61000-3-2	Electromagnetic compatibility (EMC) - Part 3-2 Limits - Limits for harmonic currents
DIN EN 61000-3-3	Electromagnetic compatibility (EMC) - Part 3-3 Limits - Limitation of voltage changes, voltage fluctuations and flicker in public low voltage supply networks

Responsible for documentation: Kilian Stürmer, Stürmer Maschinen GmbH,
Dr.-Robert-Pfleger-Str. 26, D-96103 Hallstadt
Hallstadt, 18.11.2019



Kilian Stürmer
CEO, Director



