



# Cal. VX32E

$\phi$  23.3 mm  
H 2.62 mm

Items	Rev.	Page
Specifications	02	1
Appearance	03	2
Casing	04	3
Hand fitting	03	4
Hand setting stem	03	5
Dial-01	01	6-01
Dial-02	01	6-02
Dial-03	00	6-03
Dial-04	00	6-04
Dial-05	00	6-05
Dial-06	00	6-06
Dial-07	00	6-07
Dial-08	00	6-08
Dial-09	00	6-09
Dial-10	00	6-10
Dial-11	00	6-11
Dial-12	00	6-12
Dial-13	00	6-13
Dial-14	00	6-14
Dial-15	00	6-15
Dial-16	00	6-16
Dial-17	00	6-17
Dial-18	00	6-18
Casing ring	01	7

Date: 12/Aug./'08

S.EPSON Products

## MOVEMENT SPECIFICATIONS

CAL. VX32E

Analog Quartz 10 1/2" Slim Movement / Three hands(H/M/S) with Calendar

## 1. MOVEMENT DIMENSIONS

*Outside diameter	$\phi$ 24.00mm $\times$ 21.30mm(3-9H) $\times$ 21.50mm(12-6H)
*Casing diameter	$\phi$ 23.30mm $\times$ 21.30mm(3-9H) $\times$ 21.50mm(12-6H)
*Total height	2.62mm ( including battery )

## 2. TIME STANDARD

*Type of quartz oscillator	Tuning fork
*Frequency of quartz oscillator	32,768 Hz
*Accuracy	$\pm$ 20 seconds per month ( on wrist )
*Operating temperature range	-5°C to +50°C
*Regulation device	Nil ( Pre-adjusted )

## 3. INDICATOR / FUNCTIONS

*3 Hands	Hour / Minute / Second
*Calendar	Instant setting device for date calendar
*Reset switch	
*Setting mechanism	Crown at normal position : Free Crown pulled out 1st click : Instant date change Crown pulled out 2nd click : Time setting / Reset

## 4. FEATURES

*Jewels	0 Jewel
*Anti-magnetism	Over 1600A/m ( Direct current magnetic field )
*Maximum unbalance of hands	Second hand : 7 mg $\cdot$ mm Minute hand : 60 mg $\cdot$ mm Hour hand : 50 mg $\cdot$ mm

## 5. BATTERY

*Type / Size	Silver oxide battery / $\phi$ 9.5mm $\times$ t 2.0mm
*Recommended battery	SR920SW ( Maxell, Panasonic, Sony, Seizaiken )
*Nominal voltage	1.55 V
*Battery life	Approx. 3 years
*Driving current consumption	Approx. 1.50 $\mu$ A
*Operation stopping voltage	1.1 V

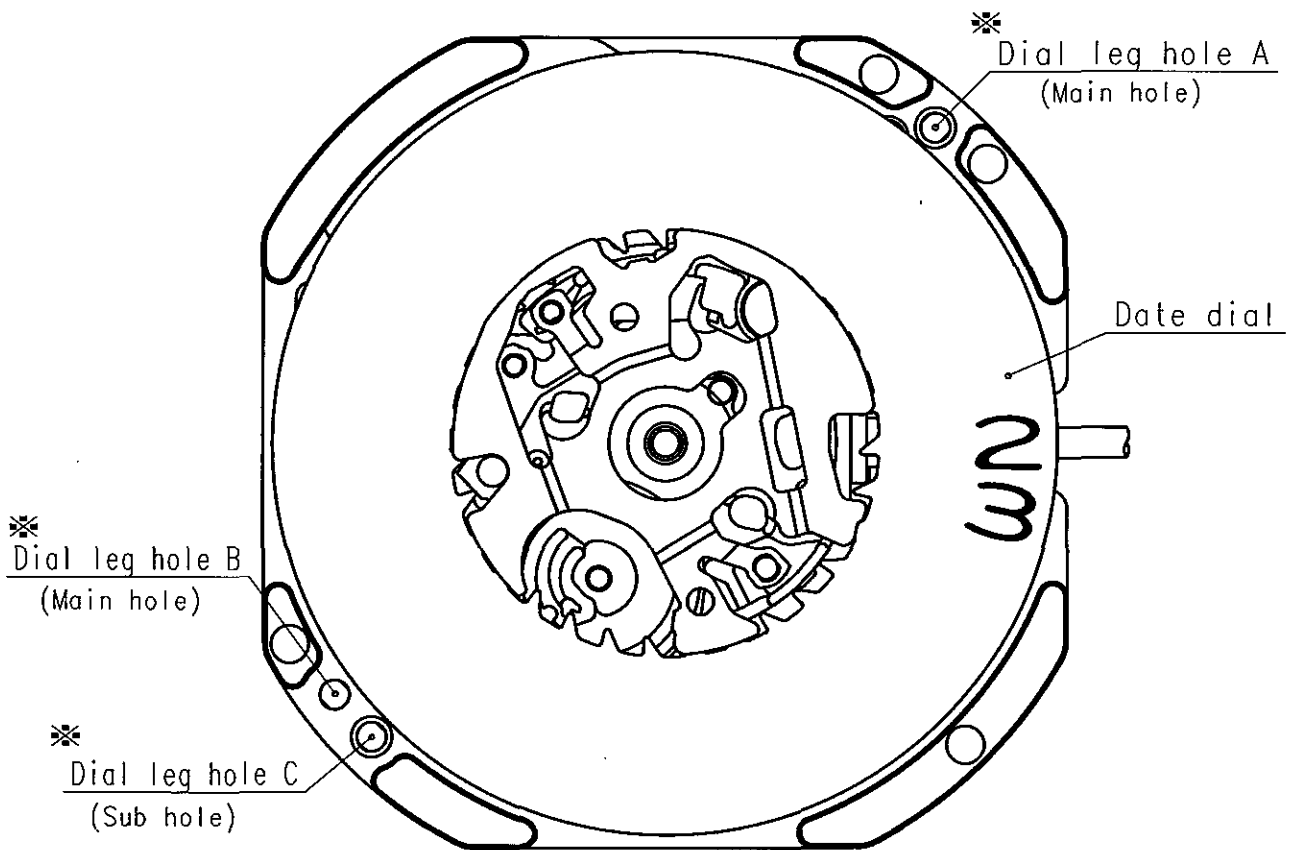
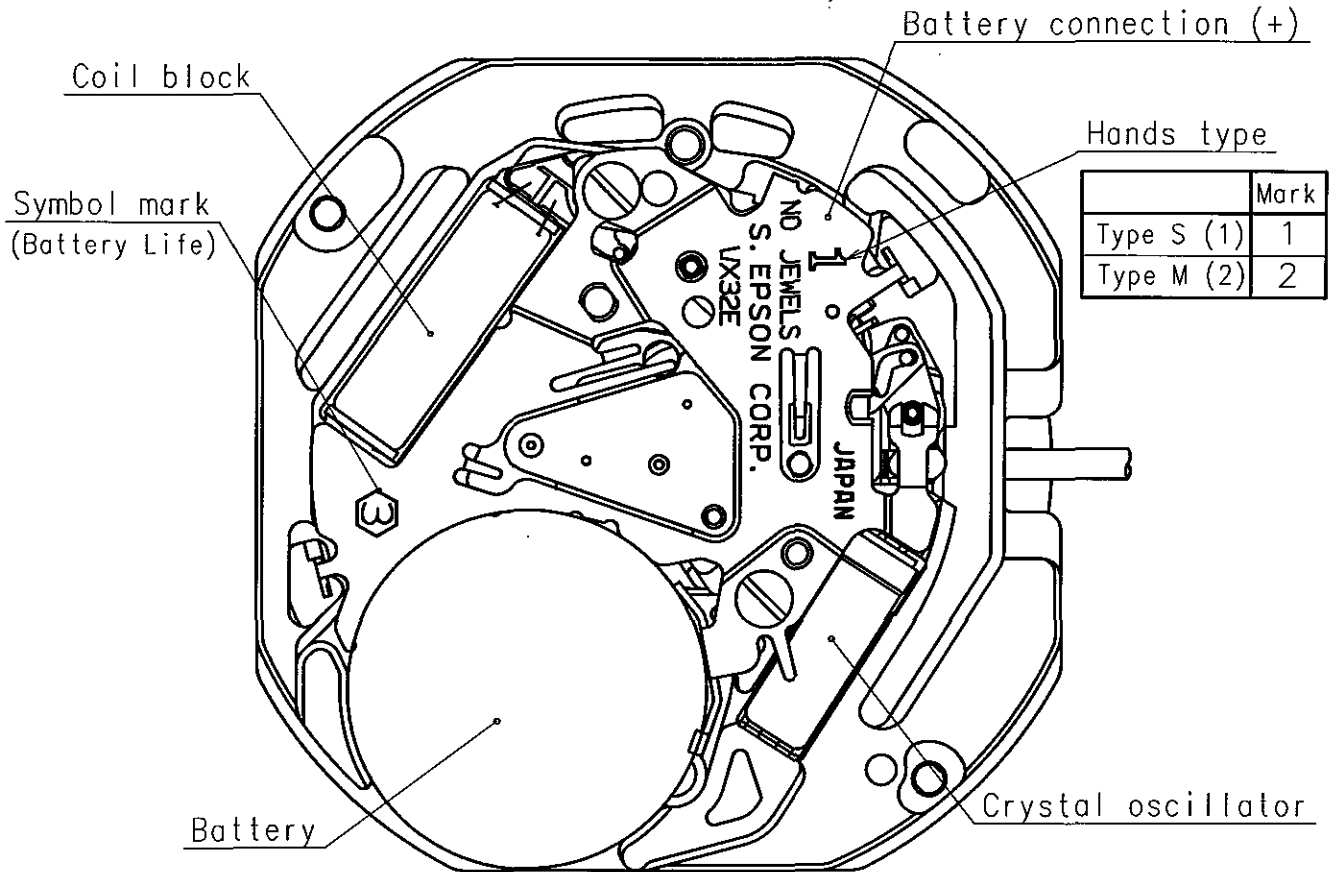
## 6. SEPARATED PARTS (Parts code)

*Hand setting stem	0351177 or 0351577
*Battery	SR920SW

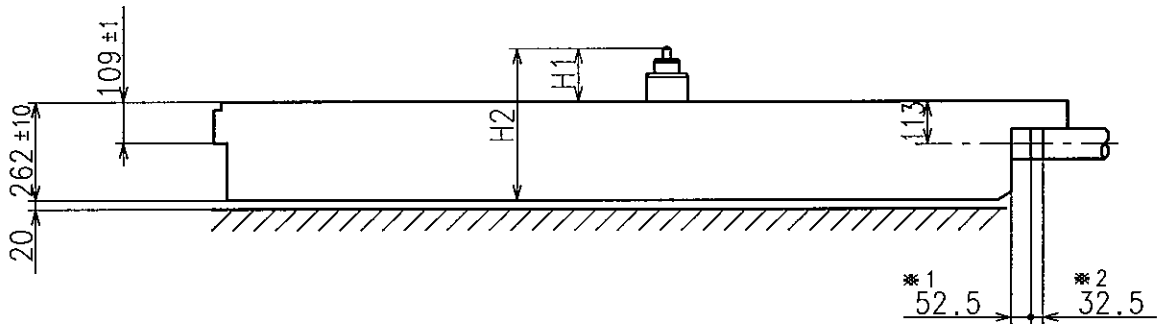
## 7. TEST OF ACCURACY

*Equipment to be used	SEIKO quartz tester QT-99, Greiner quartz timer-C , Witschi Q-tester 4000
*Duration of measurement	10 seconds
*Microphone to be used	Electromagnetic detection type

All specifications are subject to change without notice.



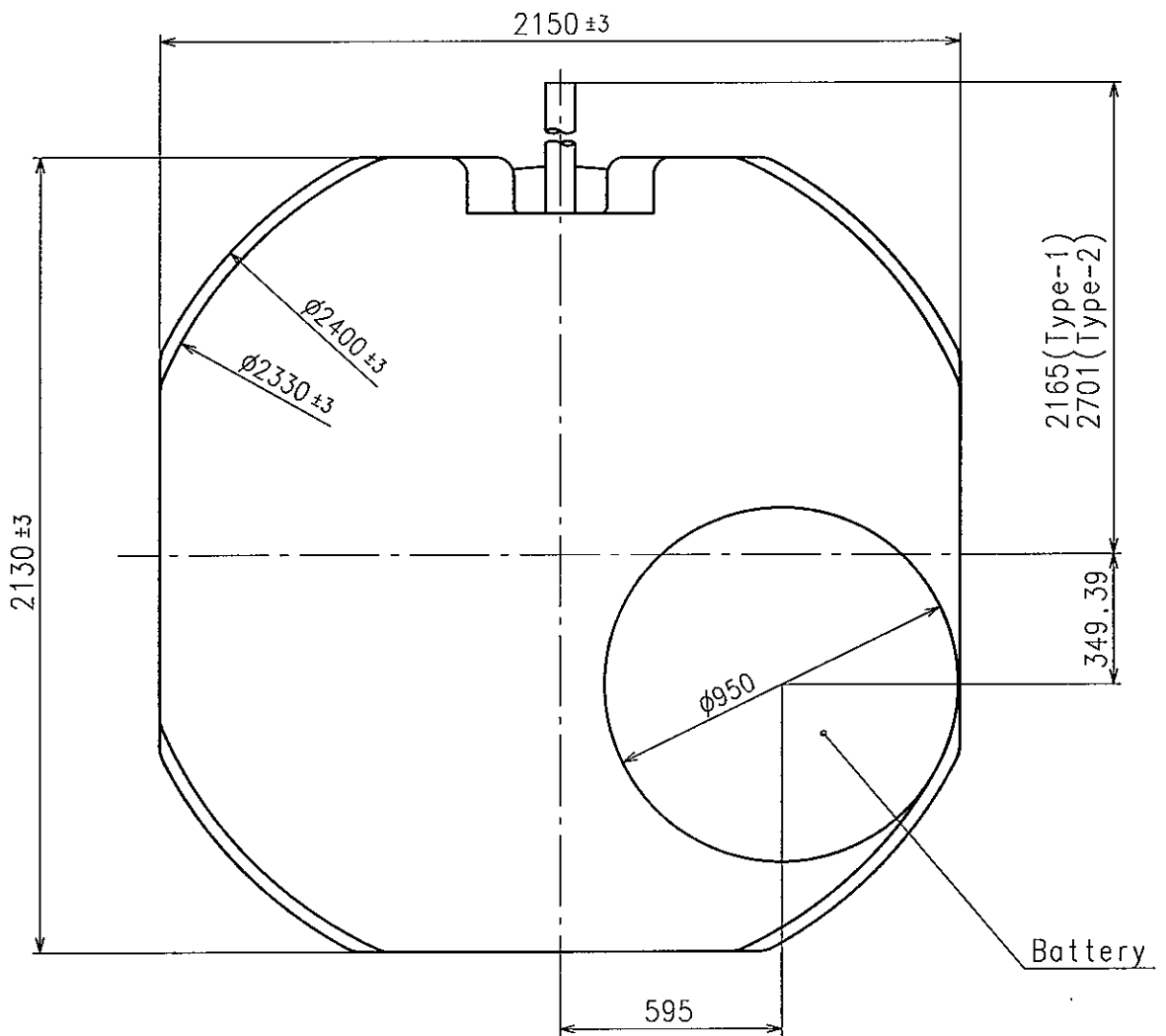
\*: Combination of dial leg hole A-B, (A-C)



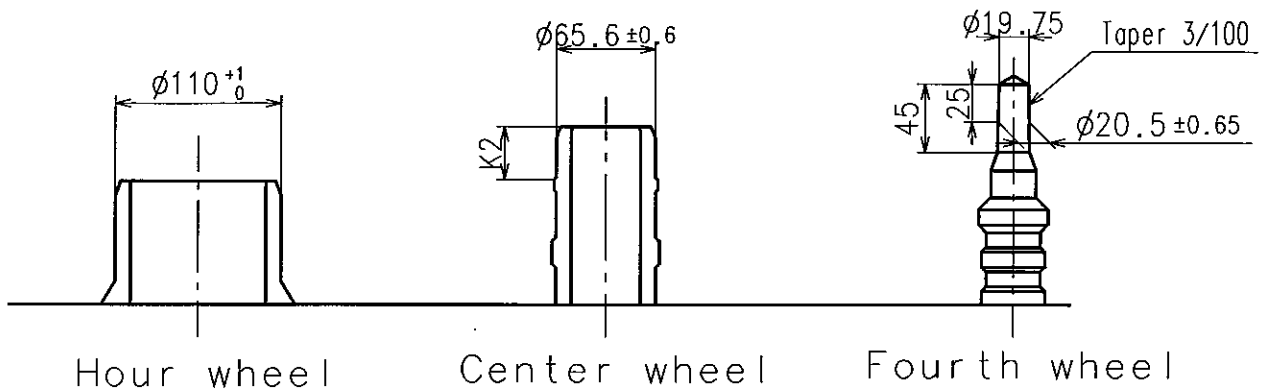
Center post		Type S (1) VX32E1*	Type M (2) VX32E2*
Maximum height from dial support	H1	140	182
Total height incl. movement	H2	402	444

\*1: First pullout stroke

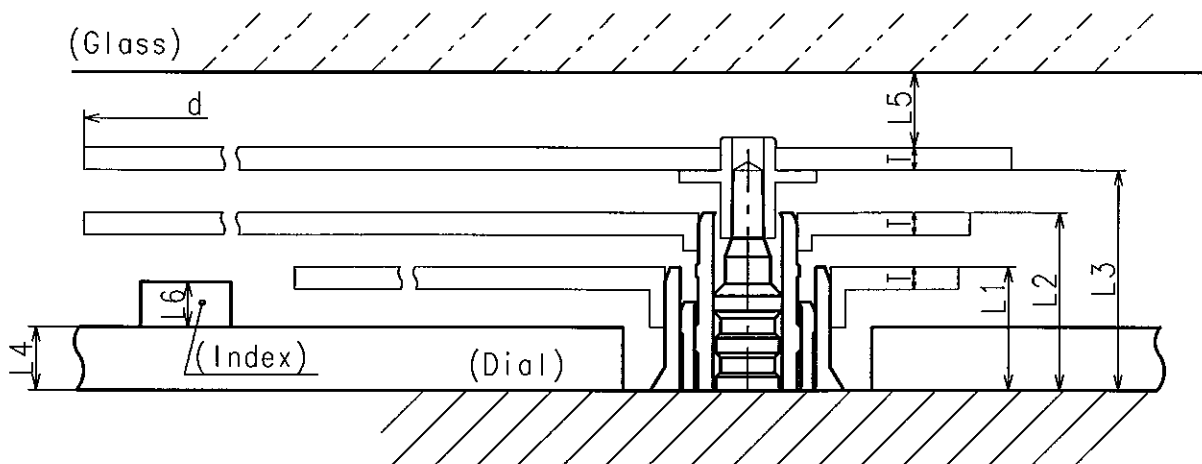
\*2: Second pullout stroke



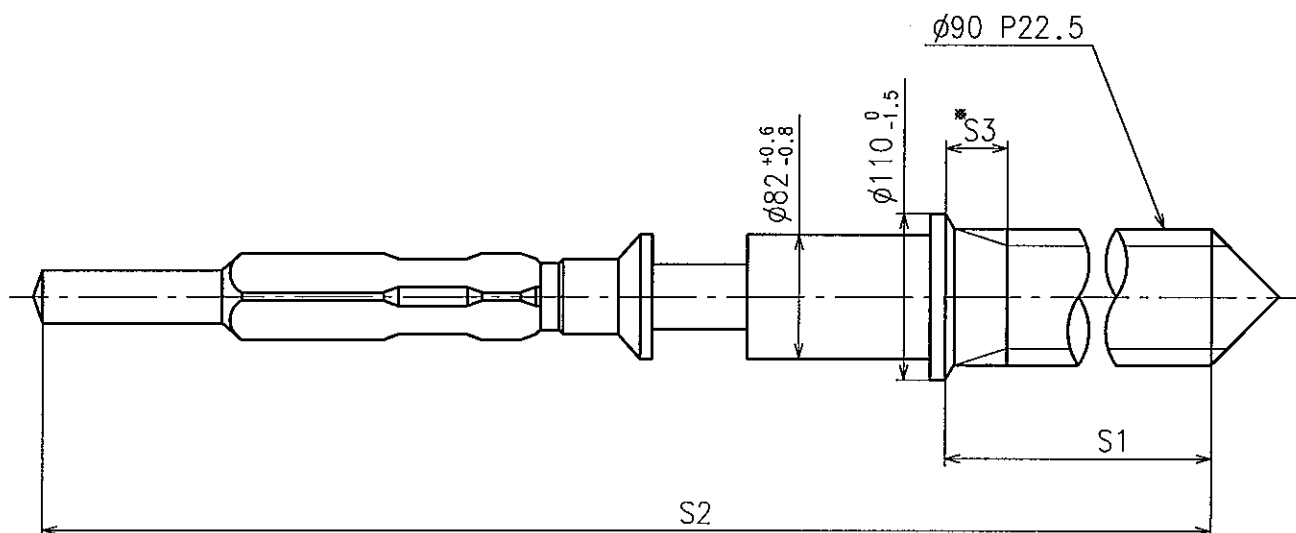
- \* Hour hand unbalance  $\leq 50\mu \text{ g} \cdot \text{m} (0.5\mu \text{ N} \cdot \text{m})$
- \* Minute hand unbalance  $\leq 60\mu \text{ g} \cdot \text{m} (0.6\mu \text{ N} \cdot \text{m})$
- \* Second hand unbalance  $\leq 7\mu \text{ g} \cdot \text{m} (0.07\mu \text{ N} \cdot \text{m})$



	Parts No.			Dimension
	Hour wheel	Center wheel	Fourth wheel	K2
Type S (1) VX32E1*	0271929	0221929	0241929	35
Type M (2) VX32E2*	0271942	0221904	0241904	35



	L1	L2	L3	L4	L5	L6	T	d
Type S (1) VX32E1*	75	112	140	40	MIN: 50	MAX: 30	15	MAX: $\phi 2500$
Type M (2) VX32E2*	105	154	182	40	MIN: 50	MAX: 60	15	MAX: $\phi 2500$



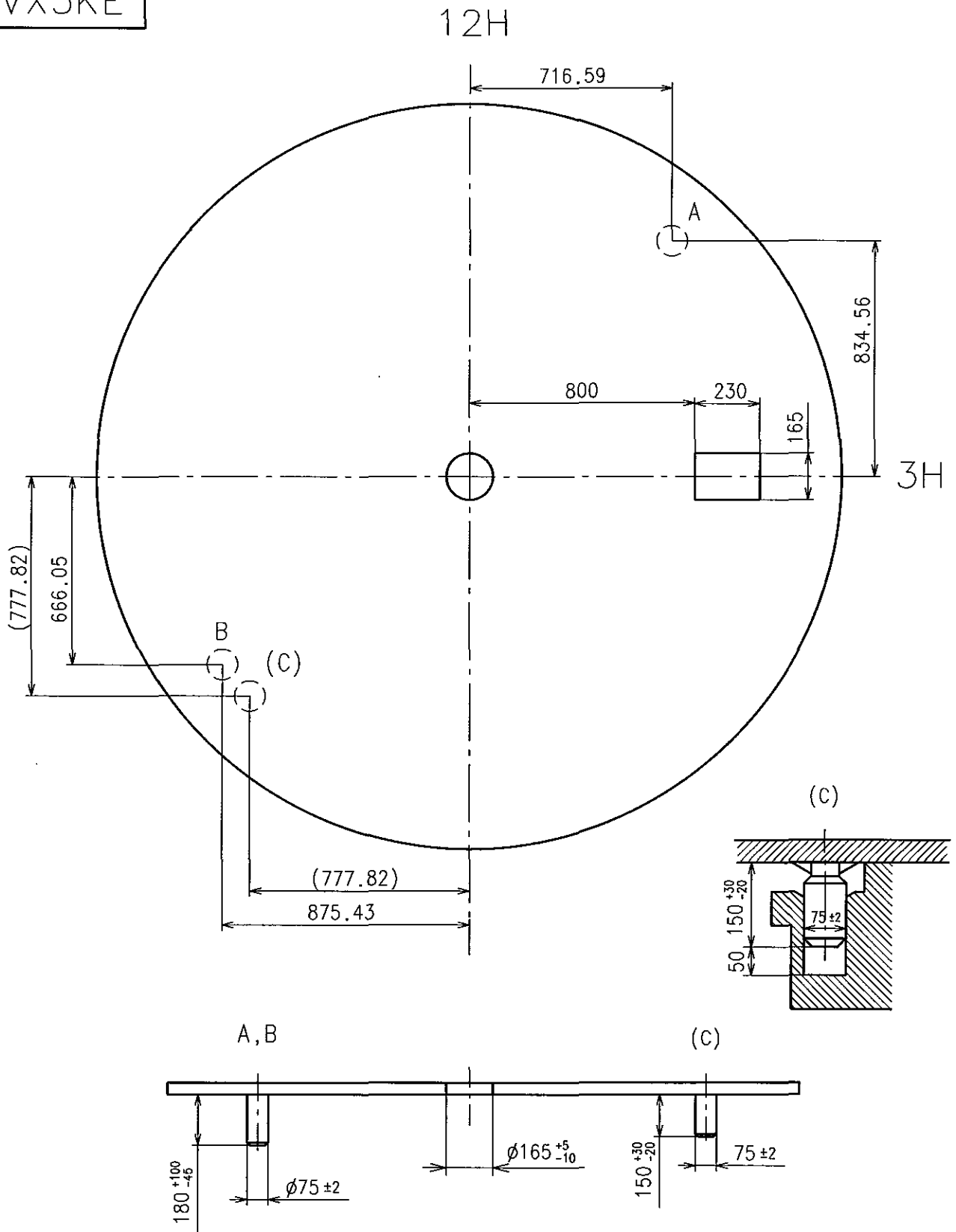
※ Not threaded

	Part No.	S1	S2	※ S3
Type-1 (Standard)	0351177	1366	1964	60
Type-2	0351577	1902	2500	1000

Material : Steel

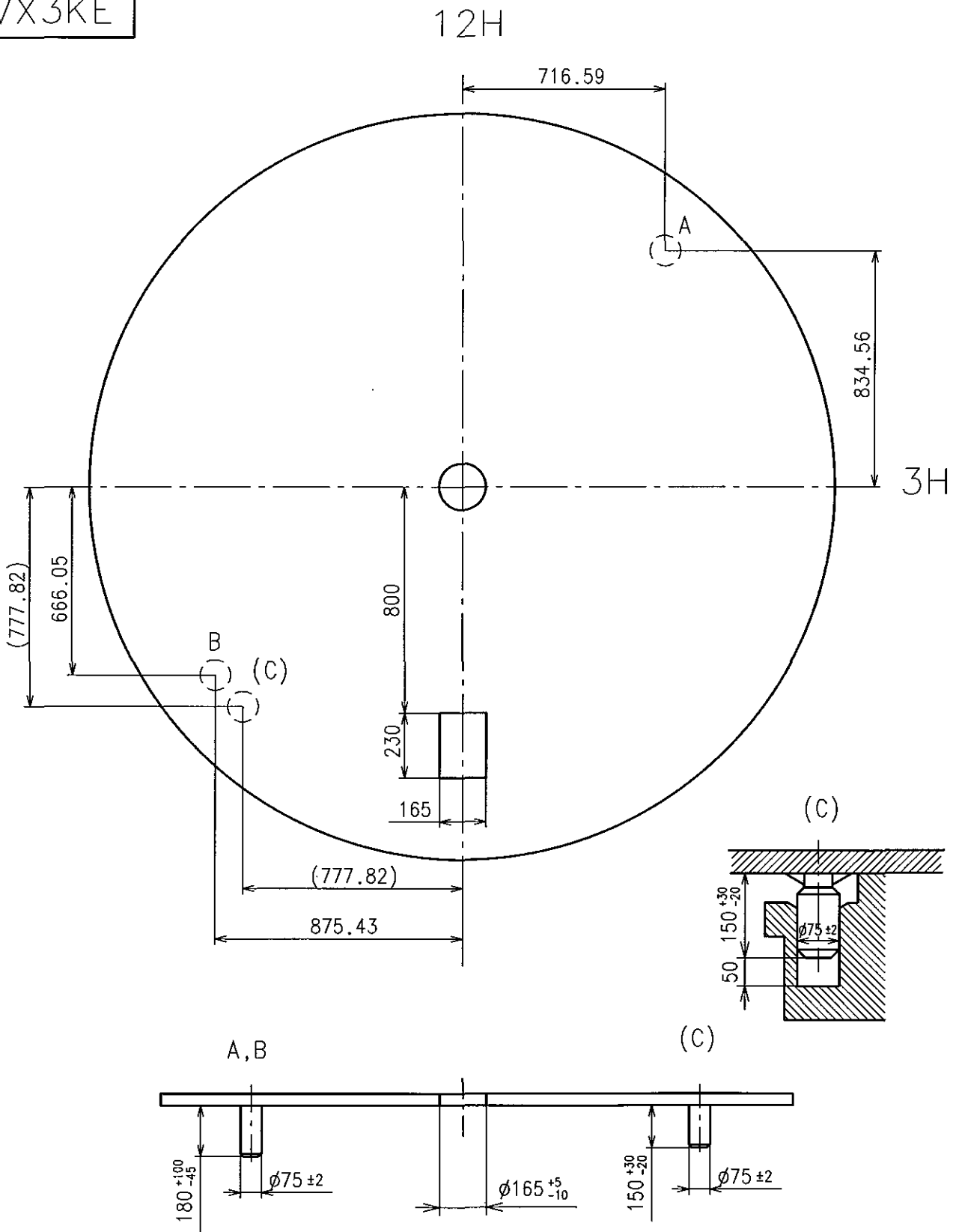
Hardness : Vickers 600±50

VX3KE



\*Use dial leg hole as like below A-B or (A-C)

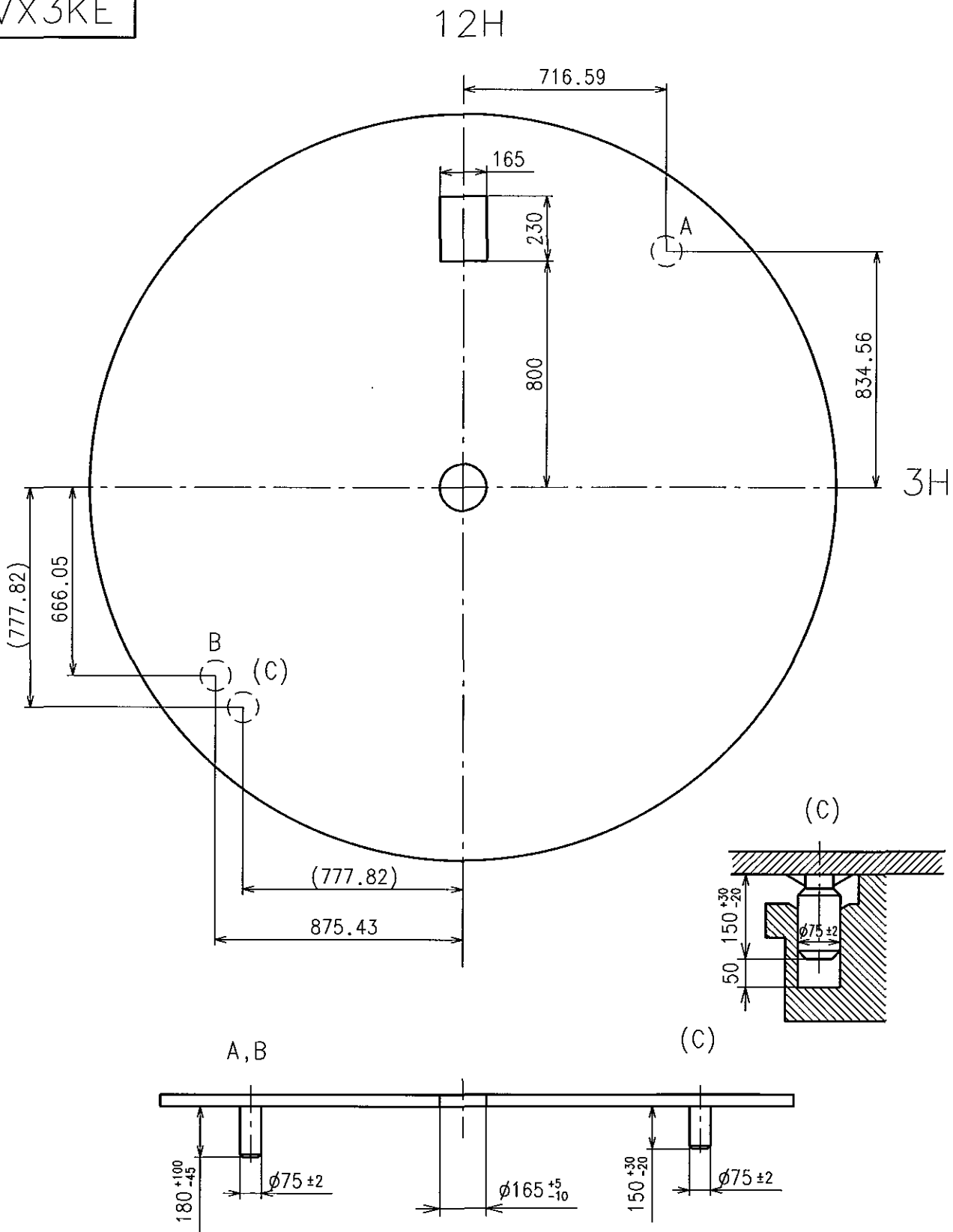
VX3KE



\* Use dial leg hole as like below A-B or (A-C)

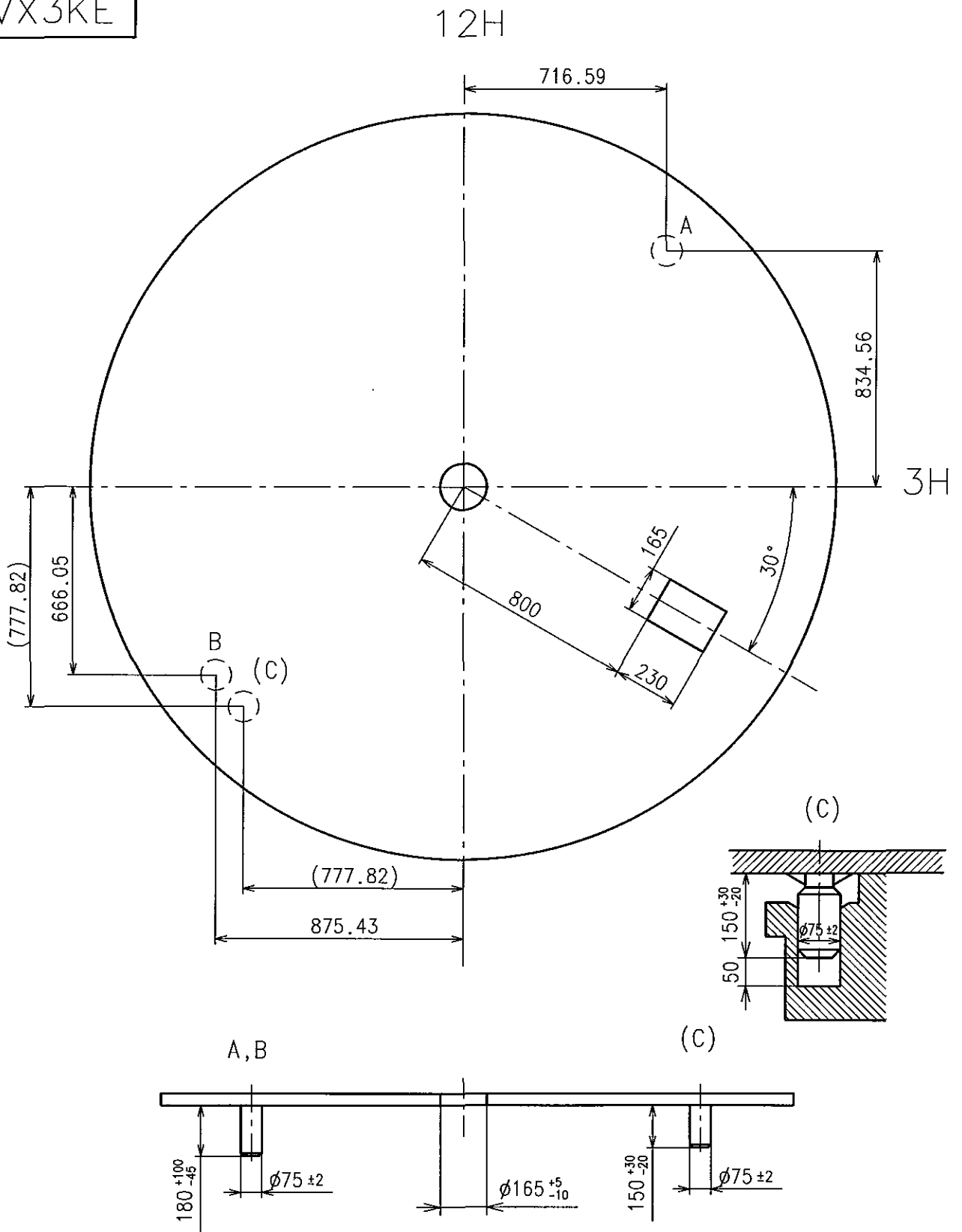


VX3KE



\* Use dial leg hole as like below A-B or (A-C)

VX3KE



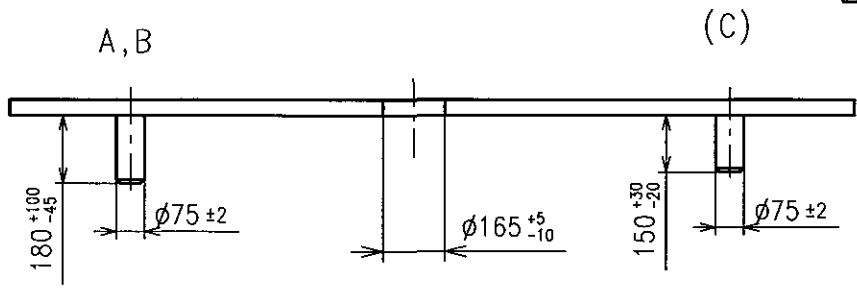
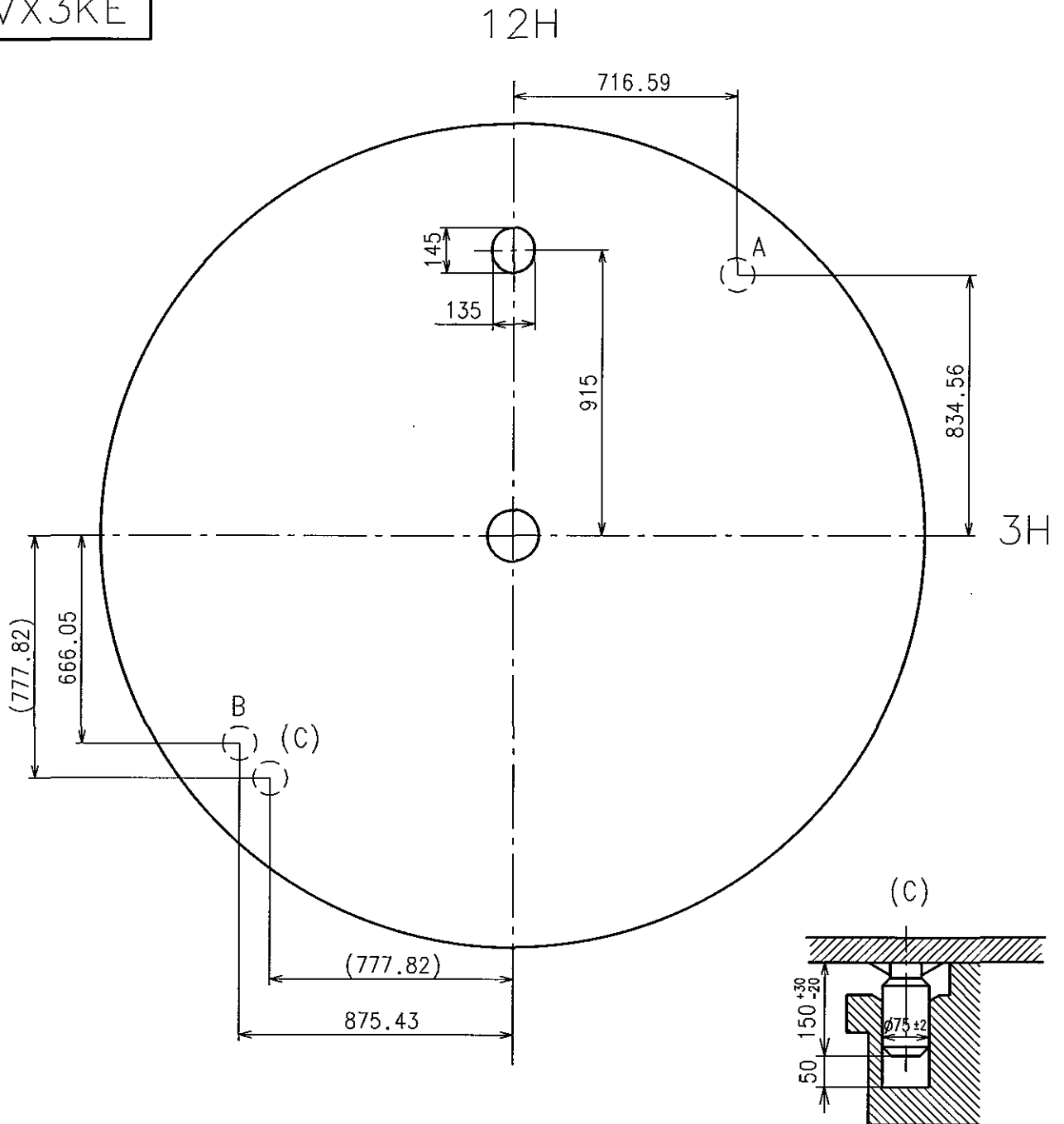
※ Use dial leg hole as like below A-B or (A-C)

Cal.  
VX32E

# Dial-05

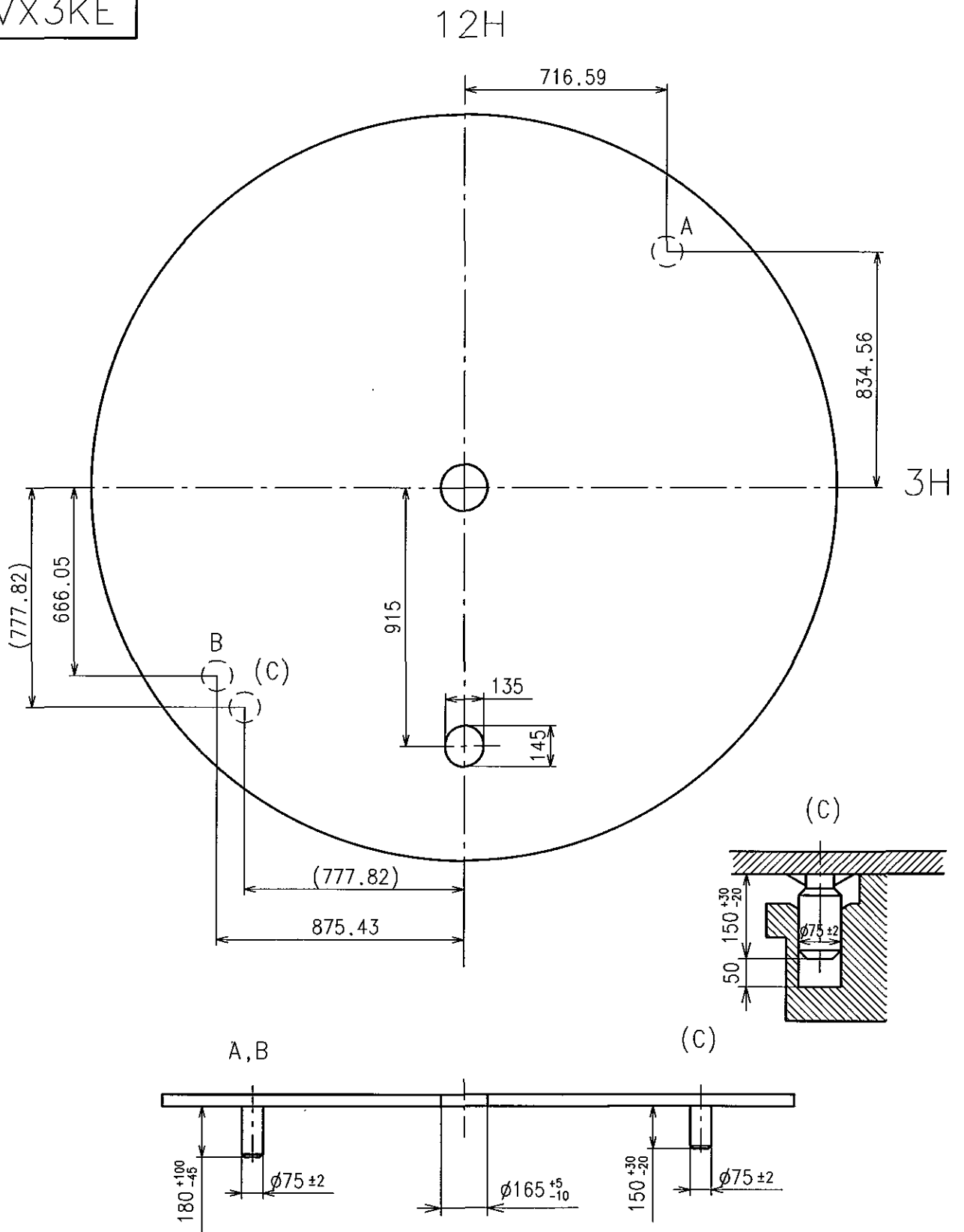
Date: 13/Feb./'04  
Rev.: 00

VX3KE



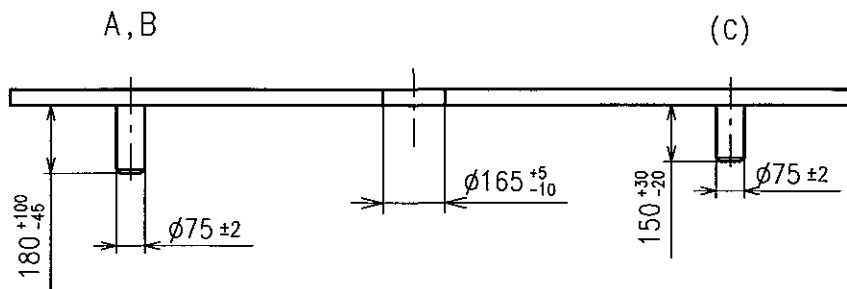
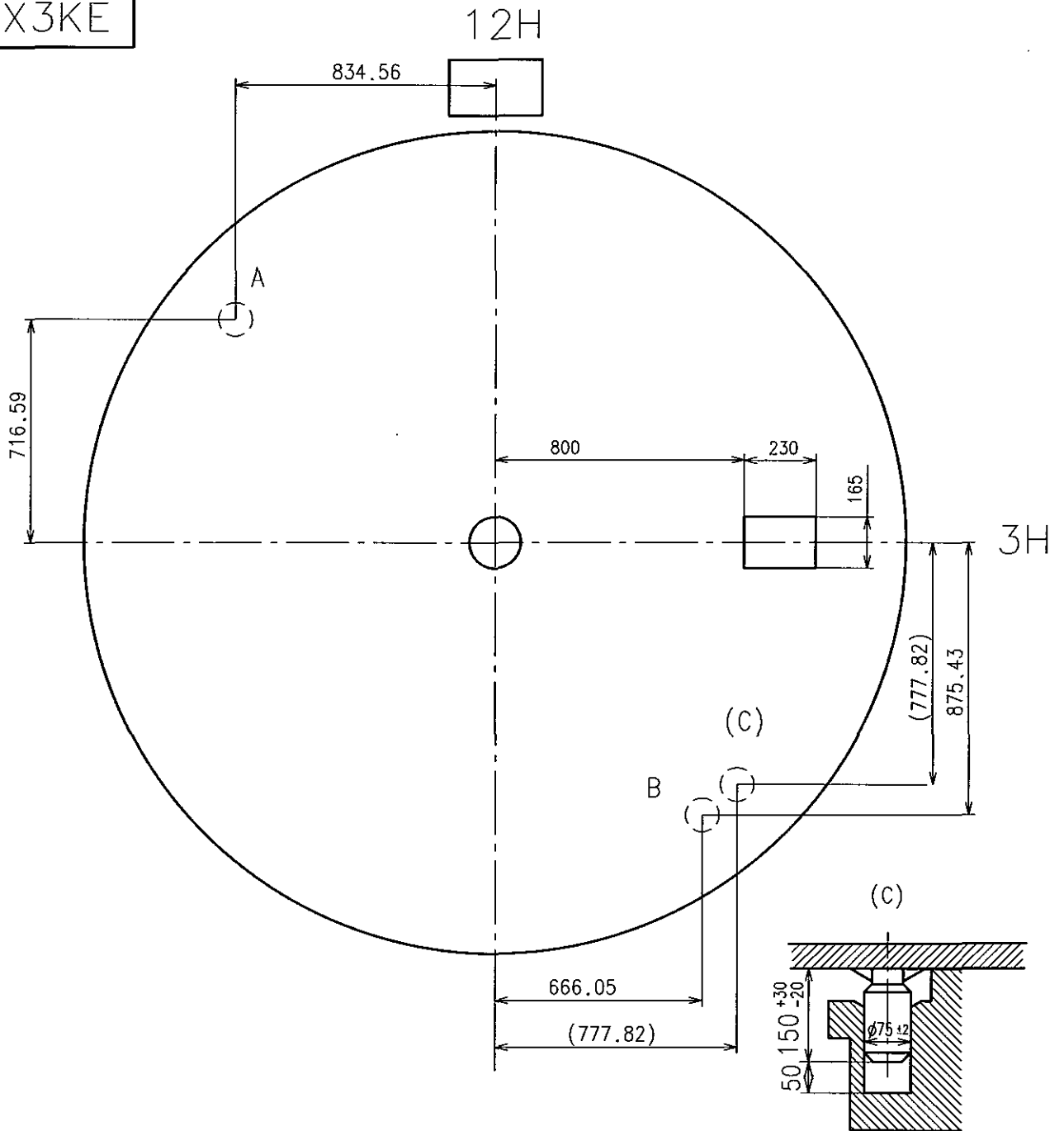
\* Use dial leg hole as like below A-B or (A-C)

VX3KE



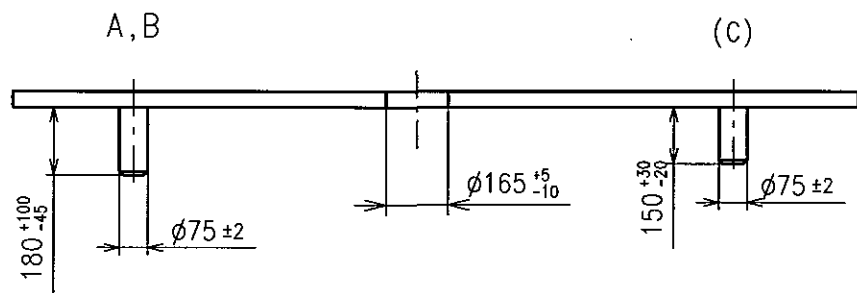
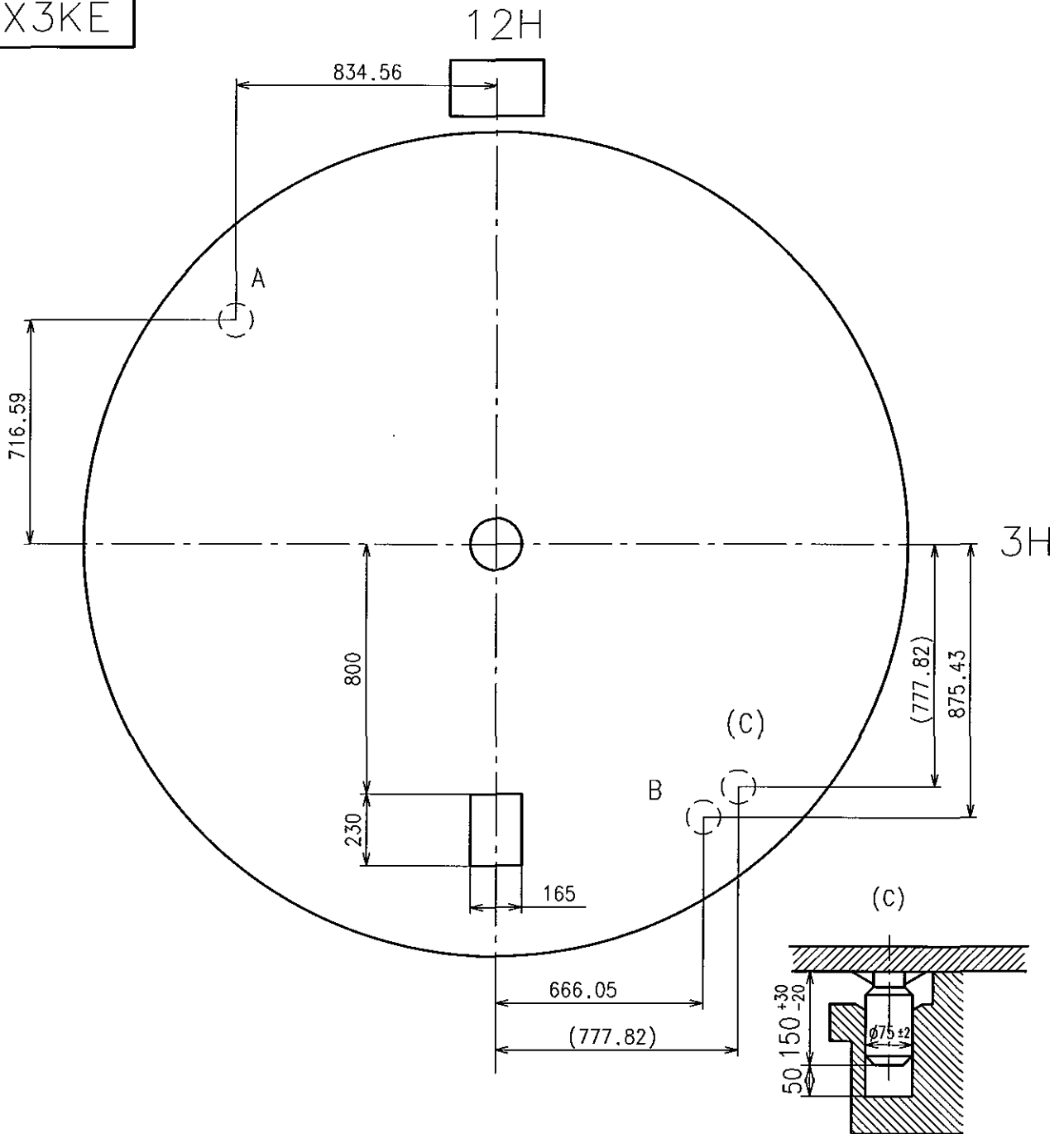
\* Use dial leg hole as like below A-B or (A-C)

VX3KE



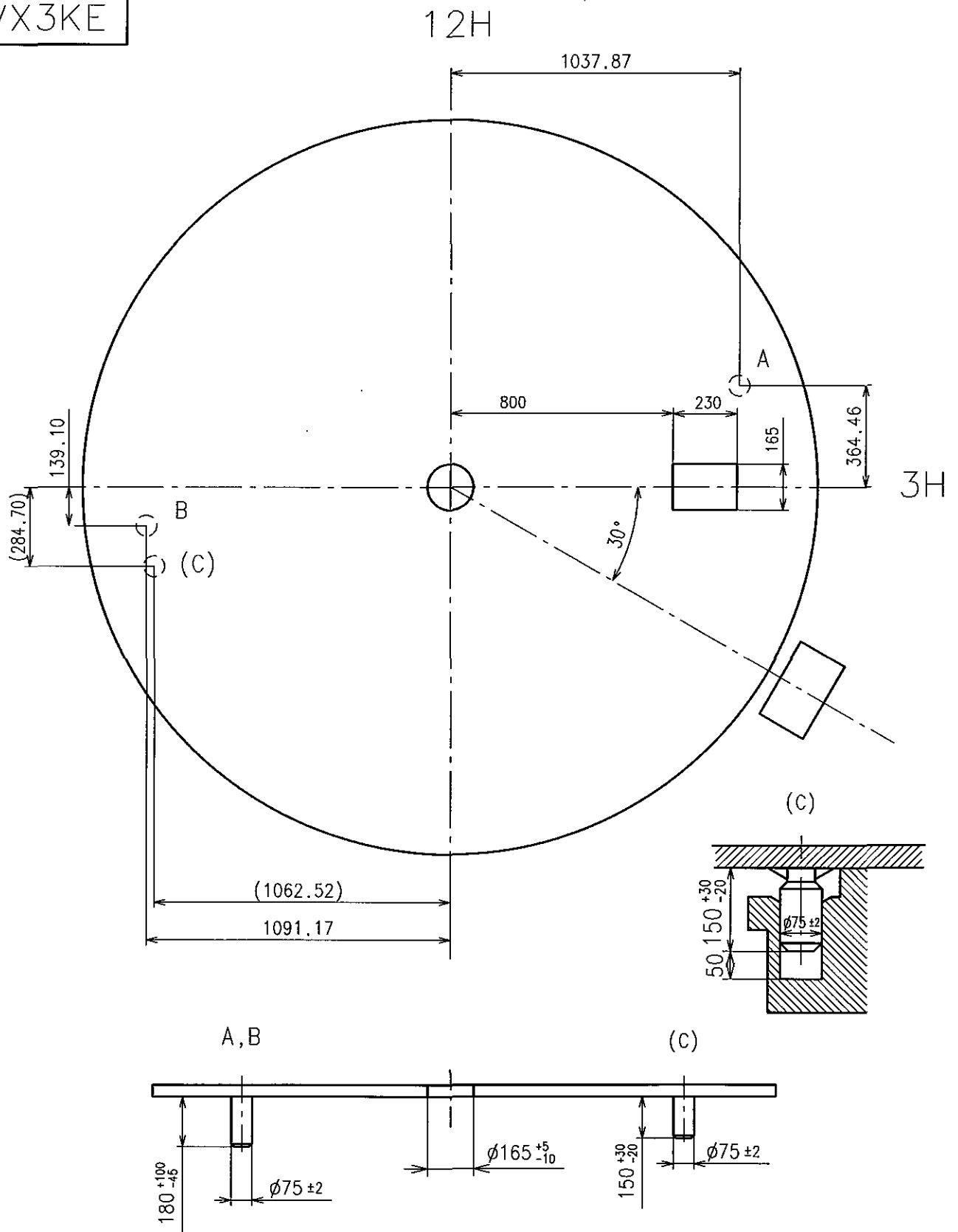
\* Use dial leg hole as like below A-B or (A-C)

VX3KE



※ Use dial leg hole as like below A-B or (A-C)

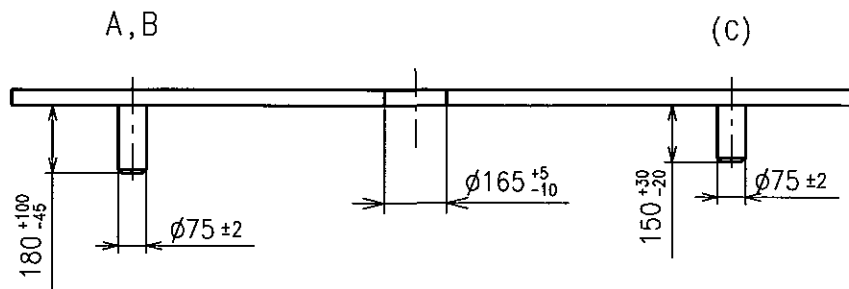
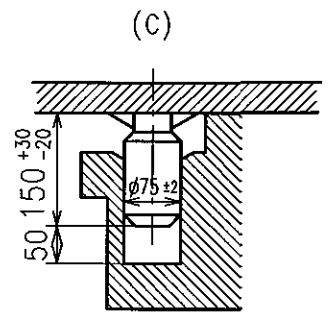
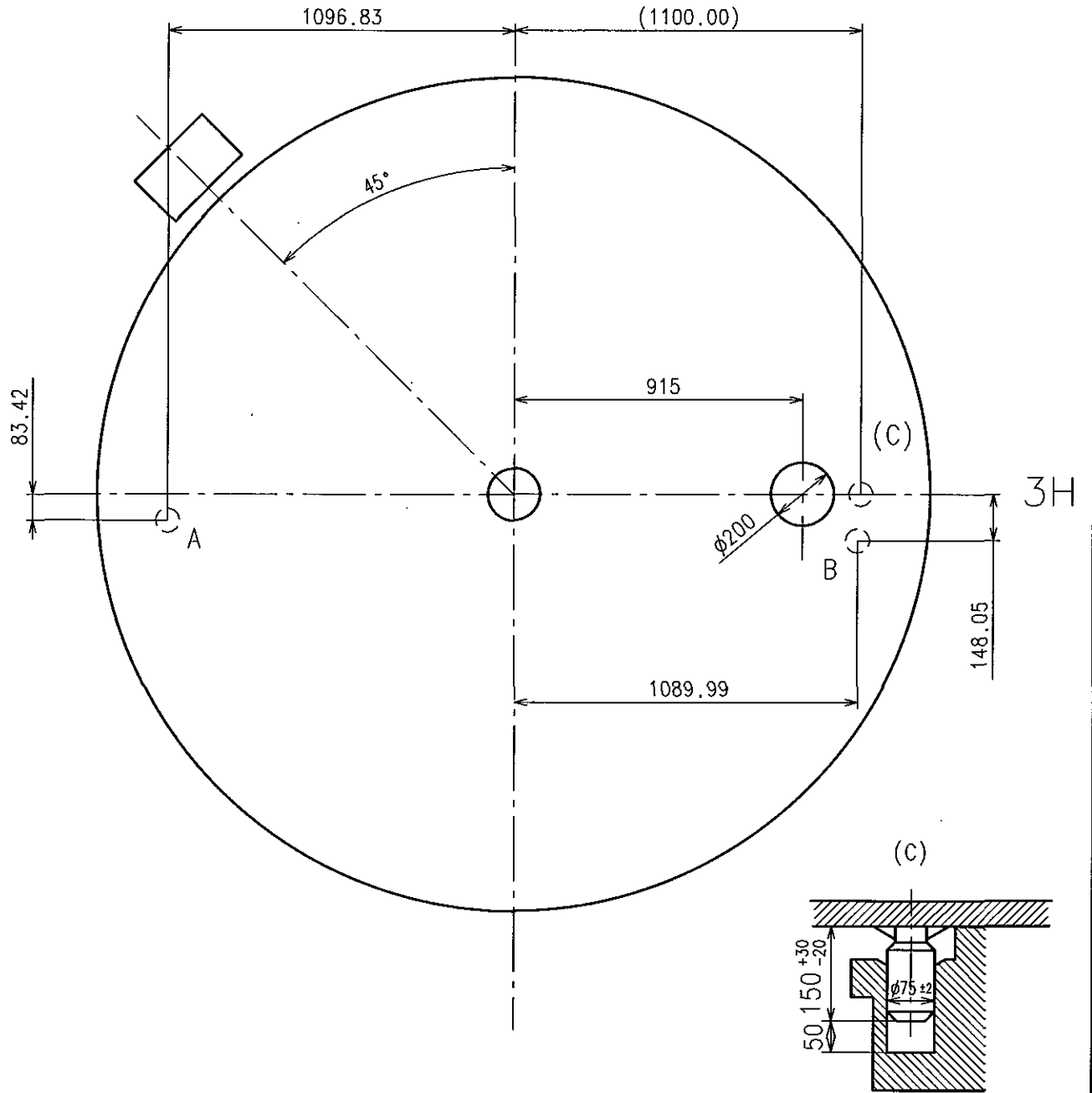
VX3KE



※ Use dial leg hole as like below A-B or (A-C)

VX3KE

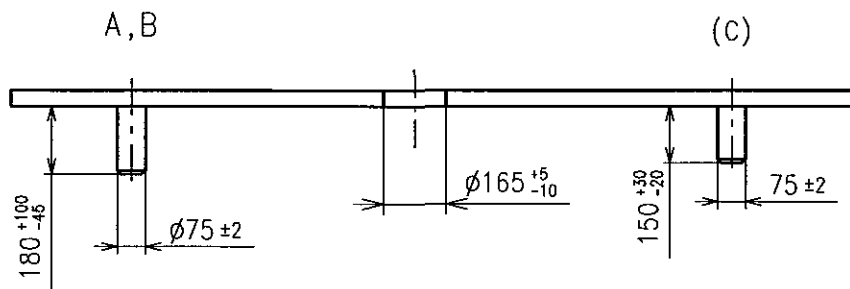
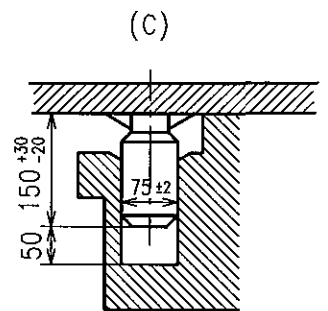
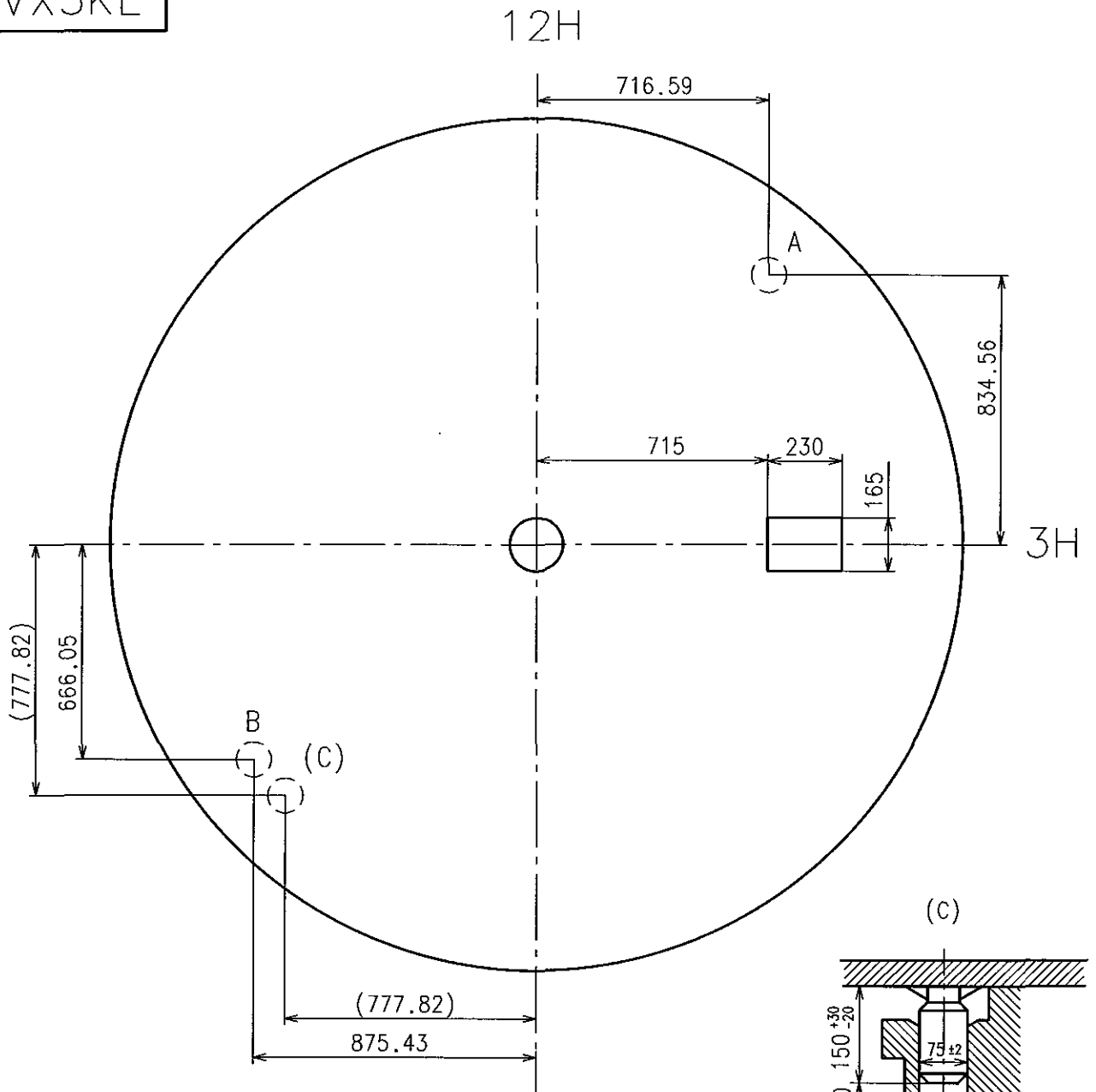
12H



\* Use dial leg hole as like below A-B or (A-C)



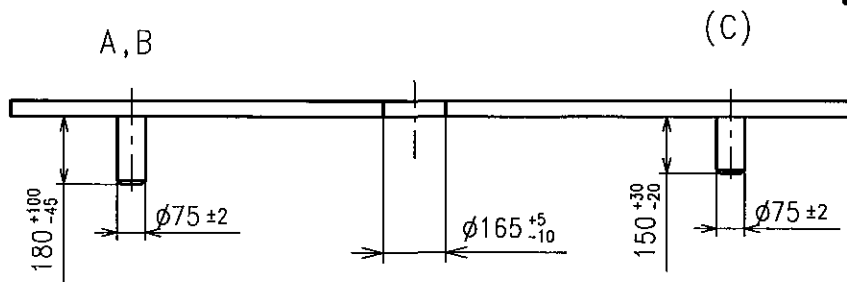
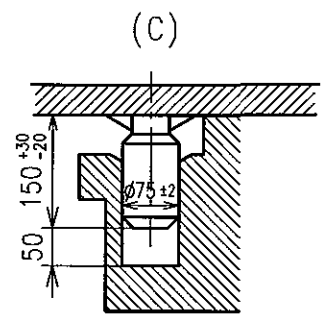
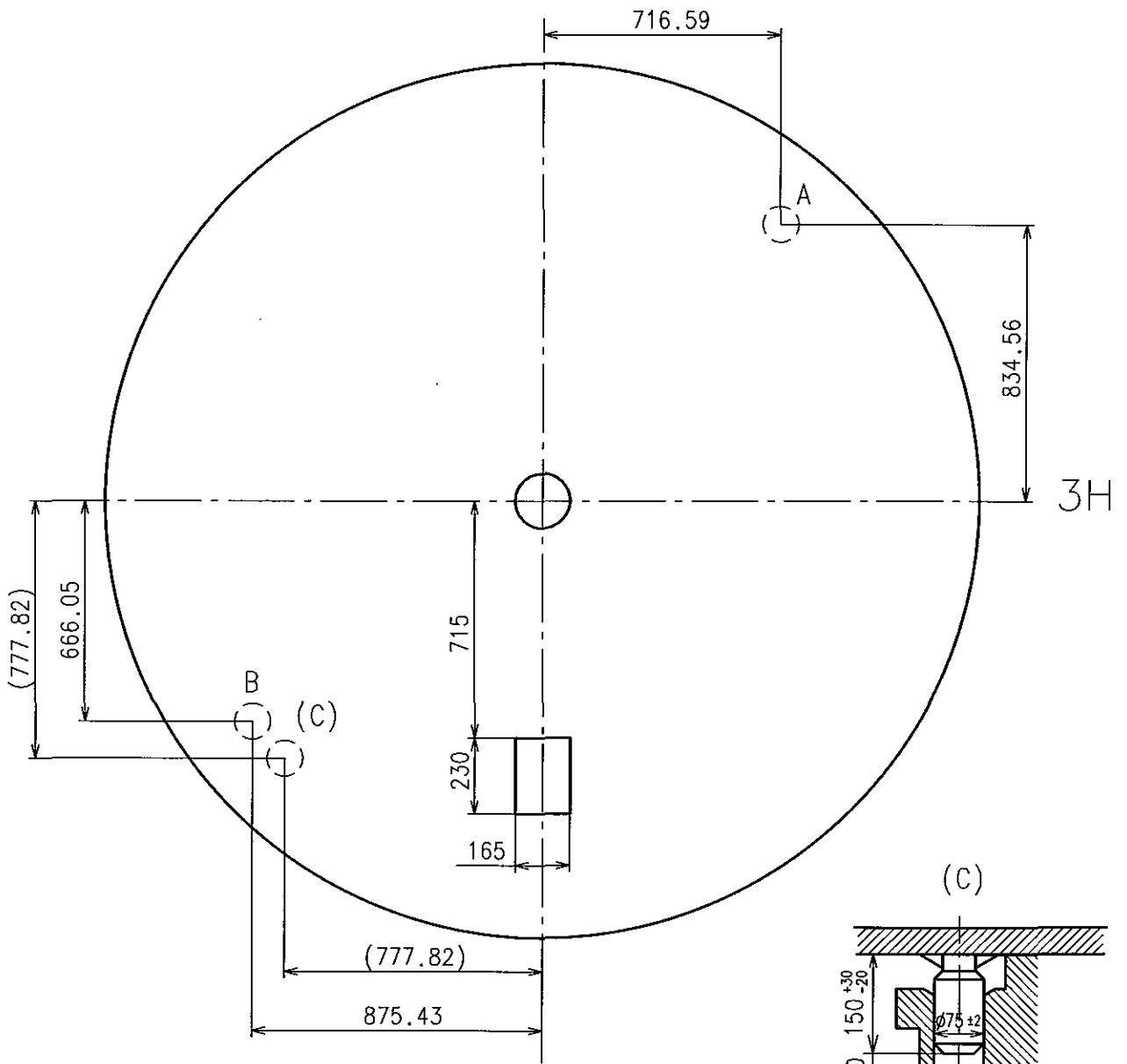
VX3KE



\* Use dial leg hole as like below A-B or (A-C)

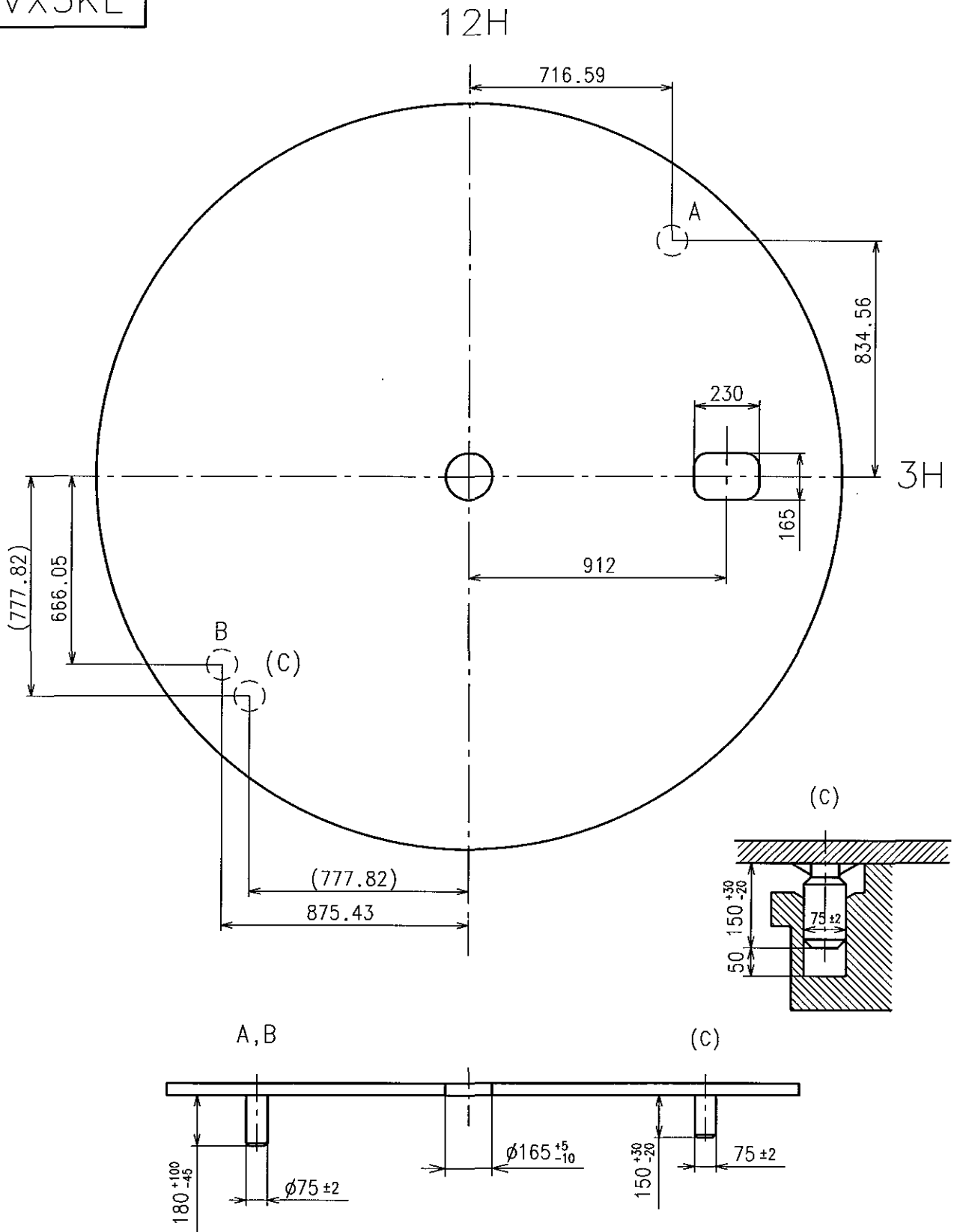
VX3KE

12H



\* Use dial leg hole as like below A-B or (A-C)

VX3KE



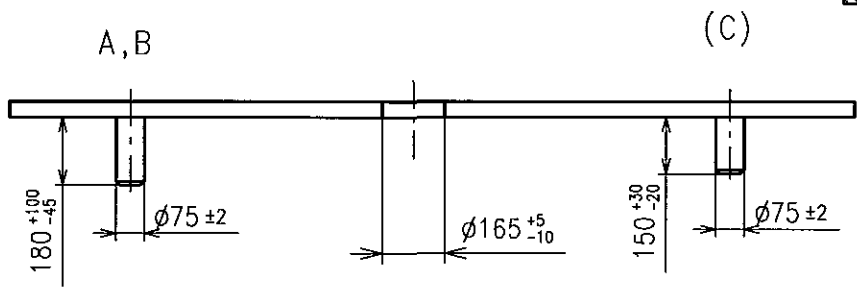
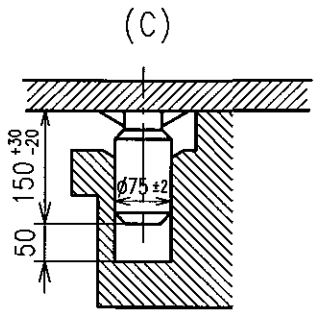
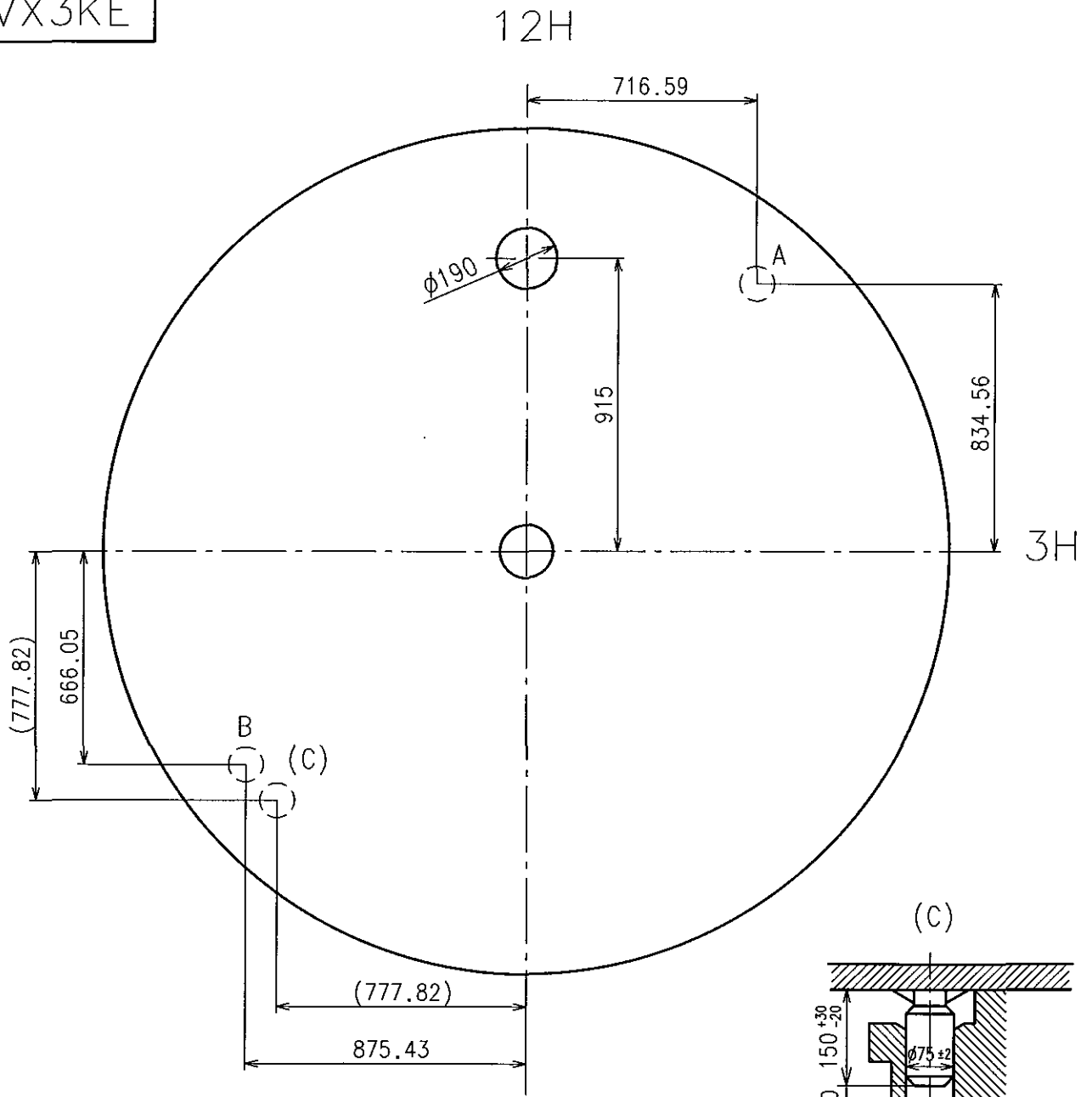
\* Use dial leg hole as like below A-B or (A-C)

Cal.  
VX32E

# Dial-14

Date: 22/Oct./'04  
Rev.: 00.

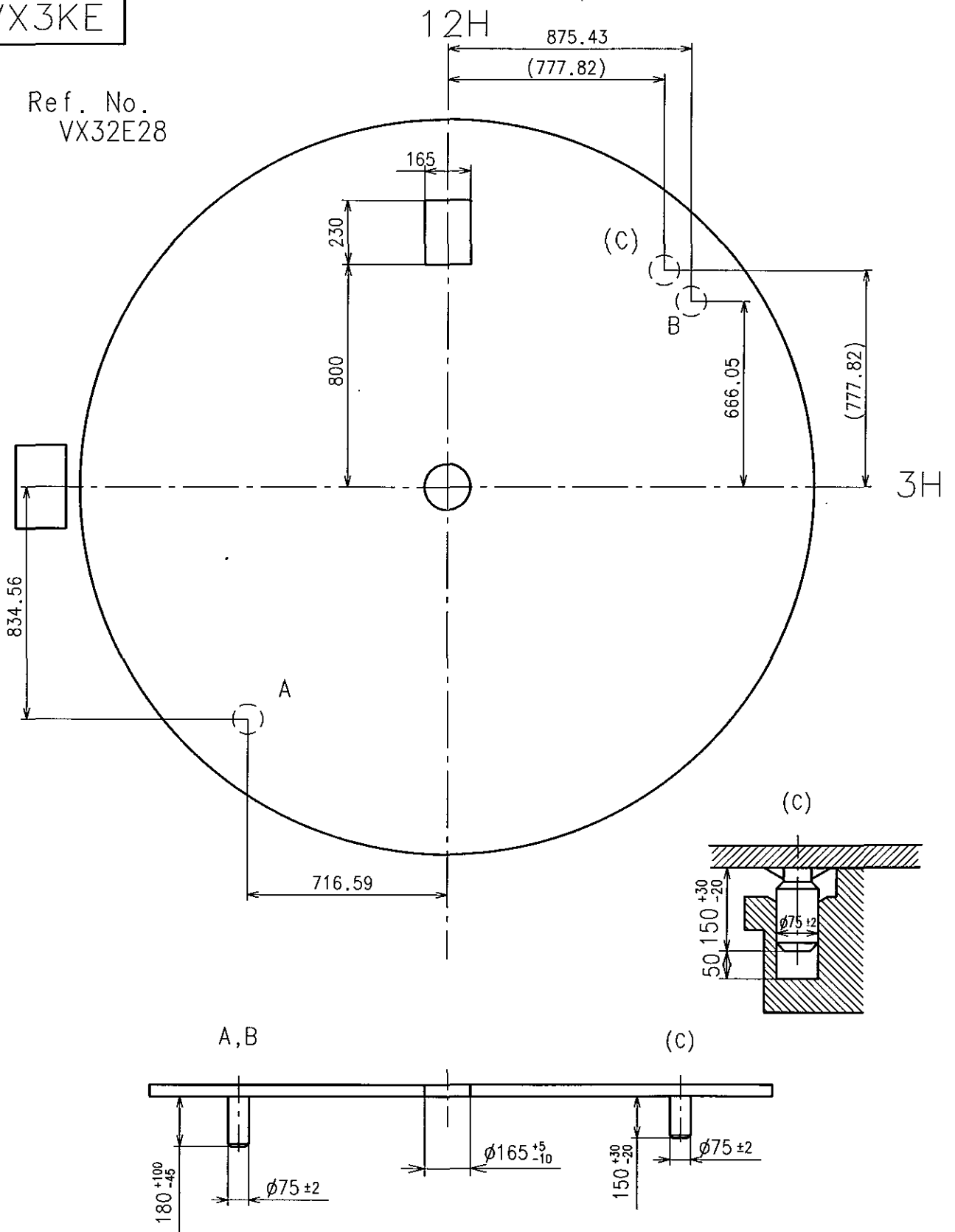
VX3KE



\* Use dial leg hole as like below A-B or (A-C)

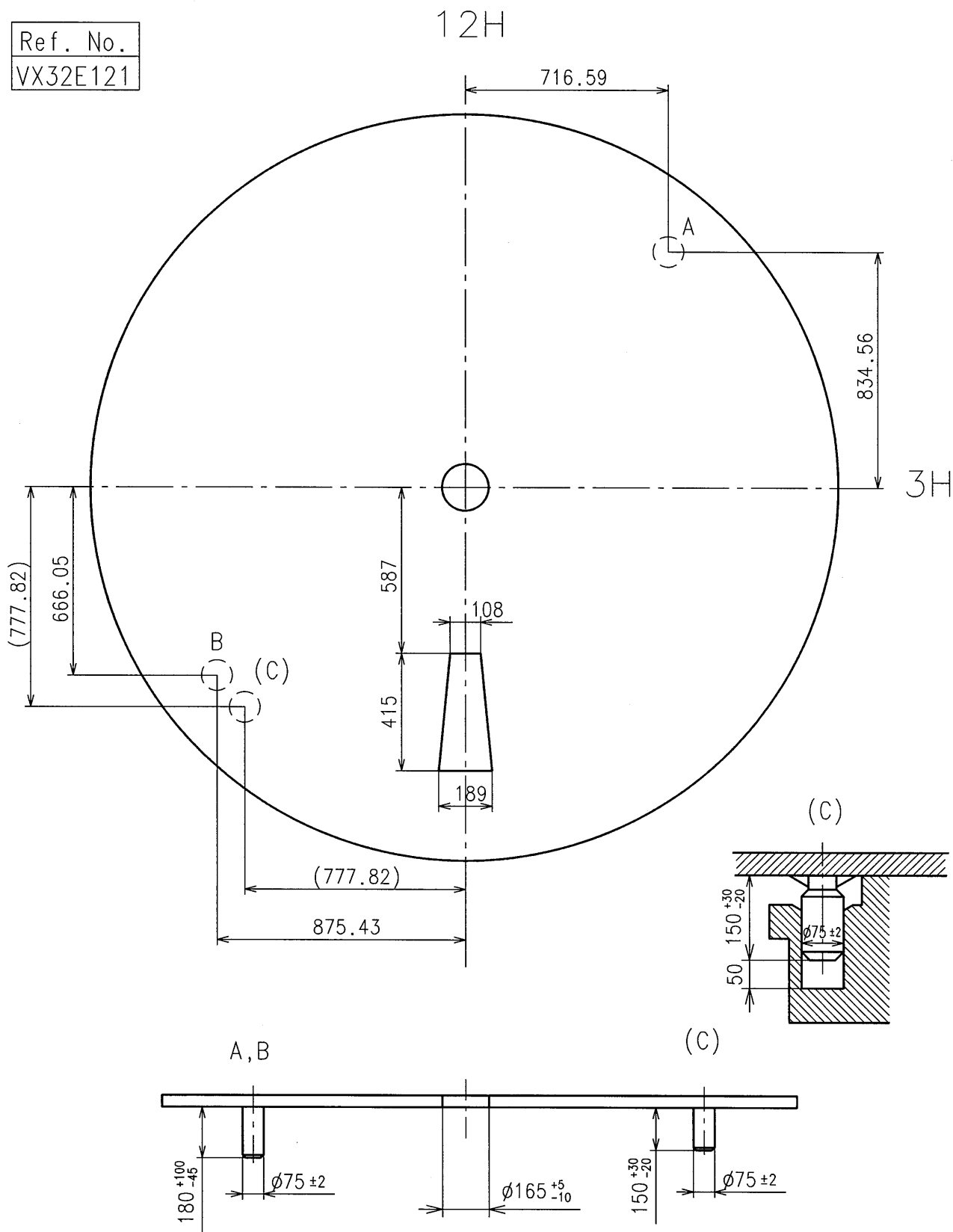
VX3KE

Ref. No.  
VX32E28



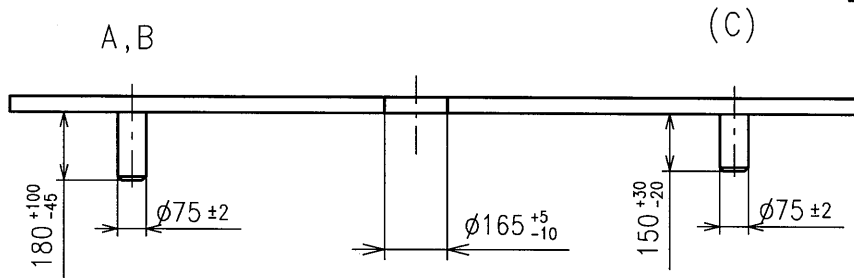
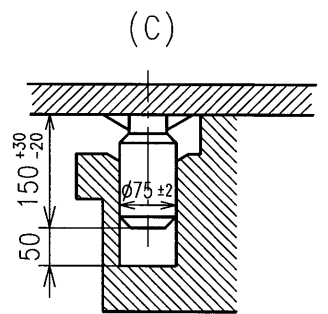
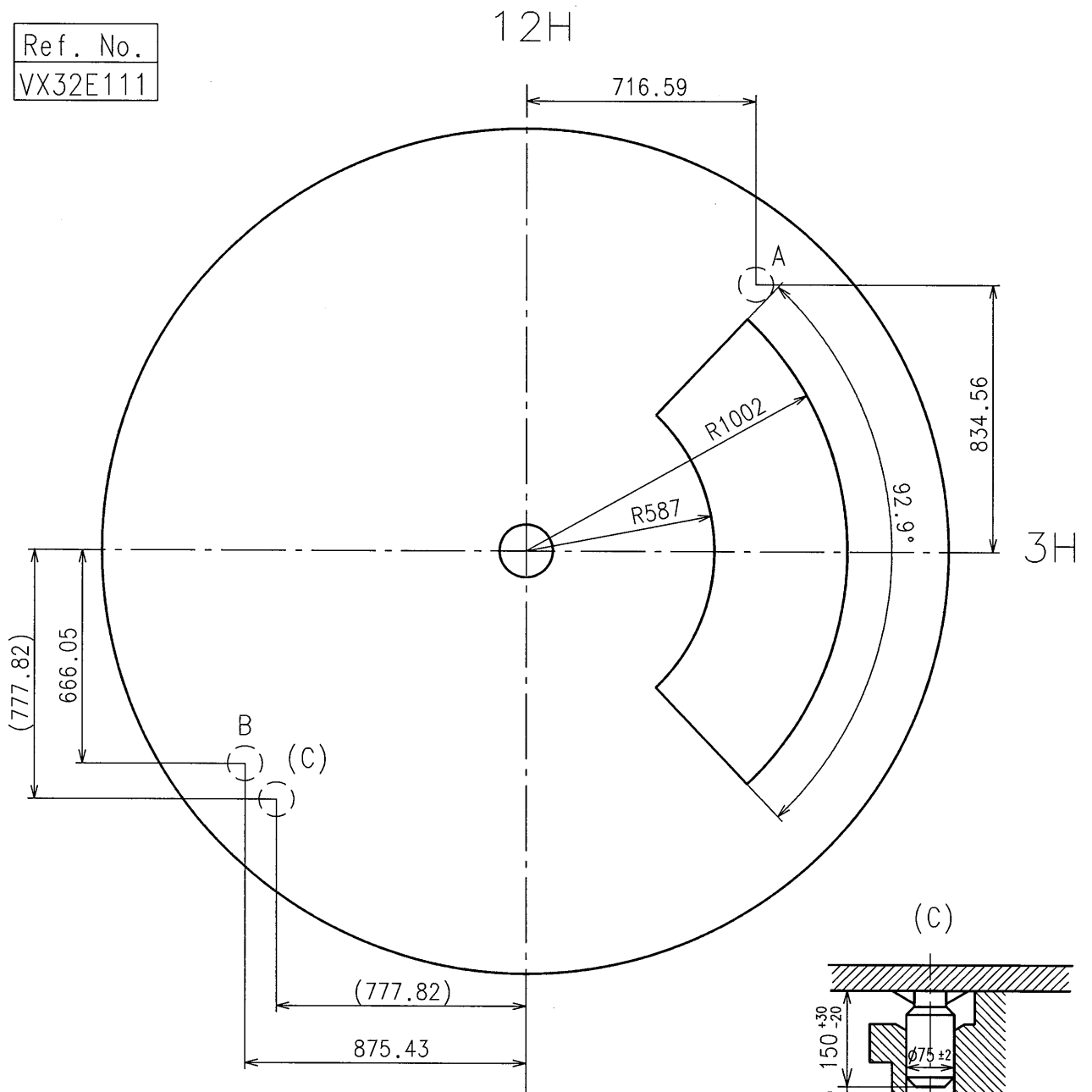
※ Use dial leg hole as like below A-B or (A-C)

Ref. No.  
VX32E121



\* Use dial leg hole as like below A-B or (A-C)

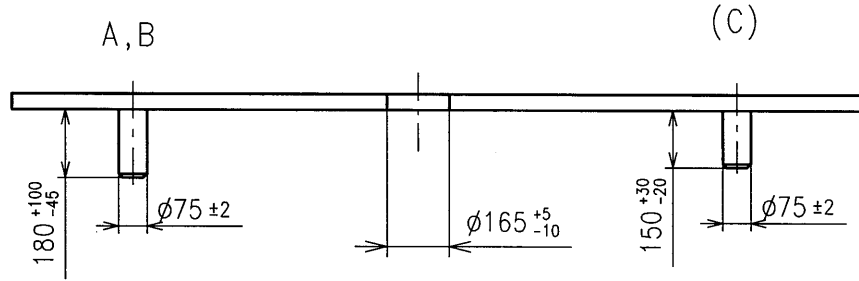
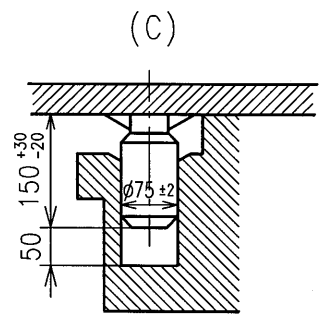
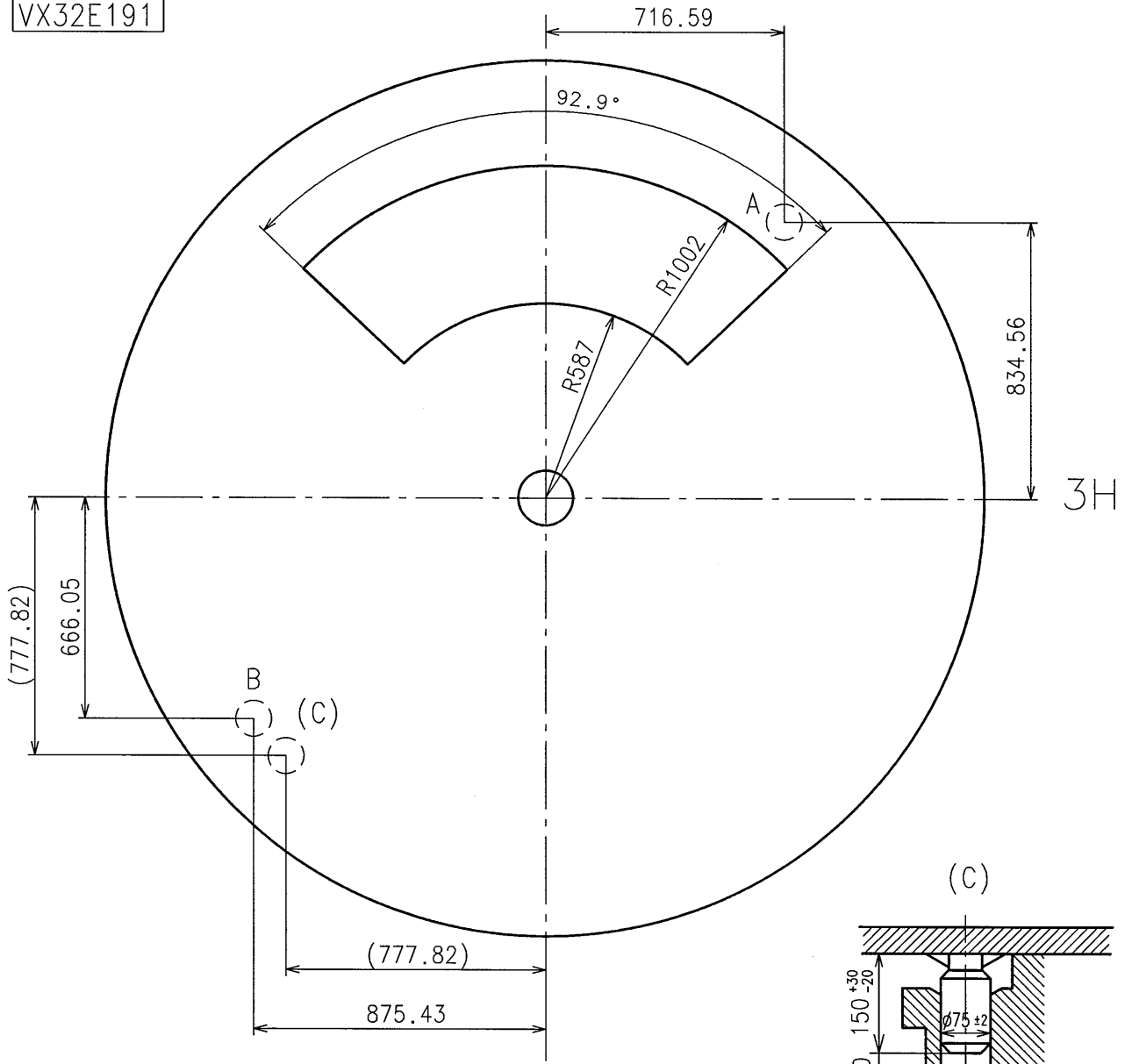
Ref. No.  
VX32E111



※ Use dial leg hole as like below A-B or (A-C)

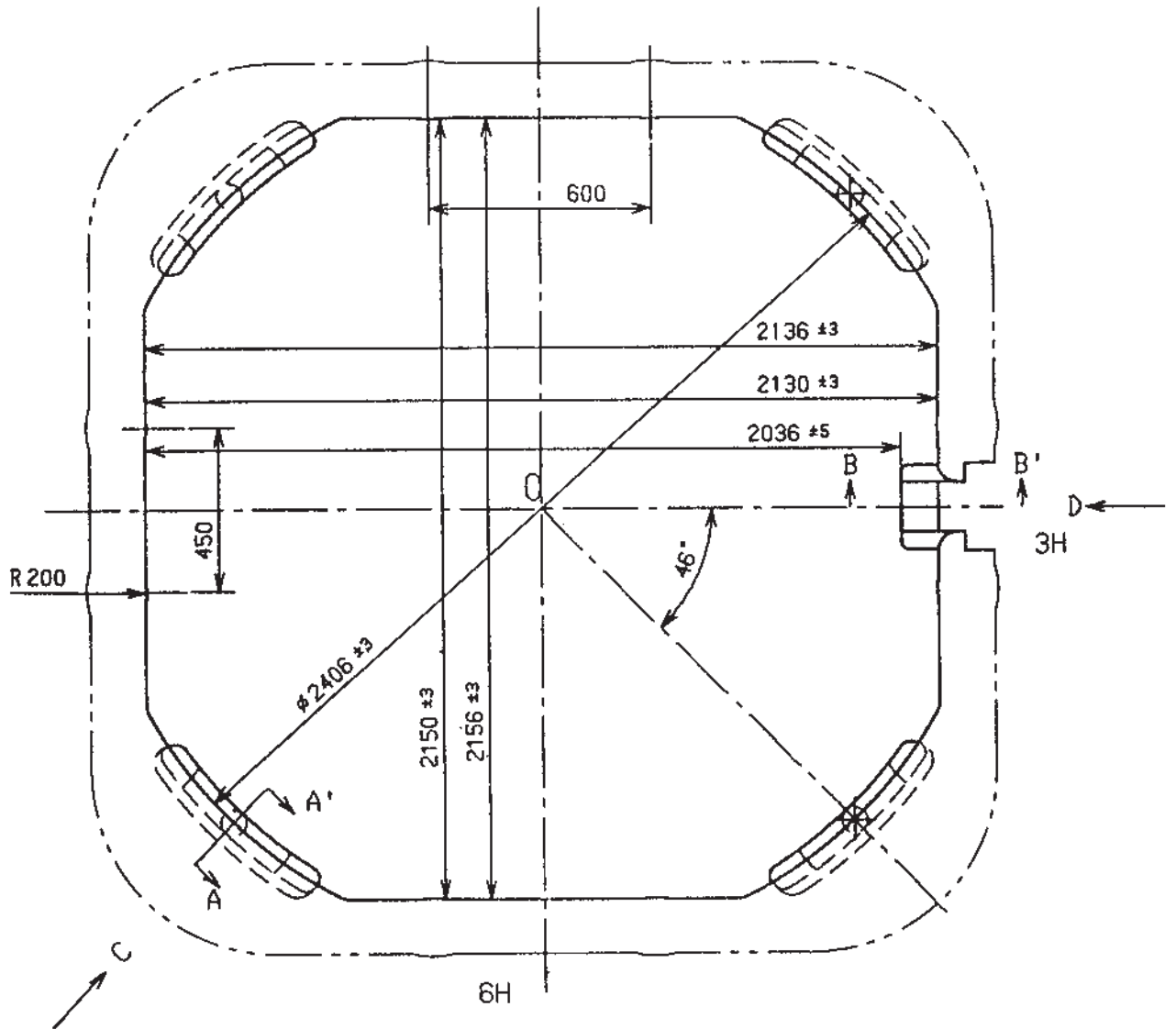
Ref. No.  
VX32E191

12H



\* Use dial leg hole as like below A-B or (A-C)





A-A' section

B-B' section

D view

C view

